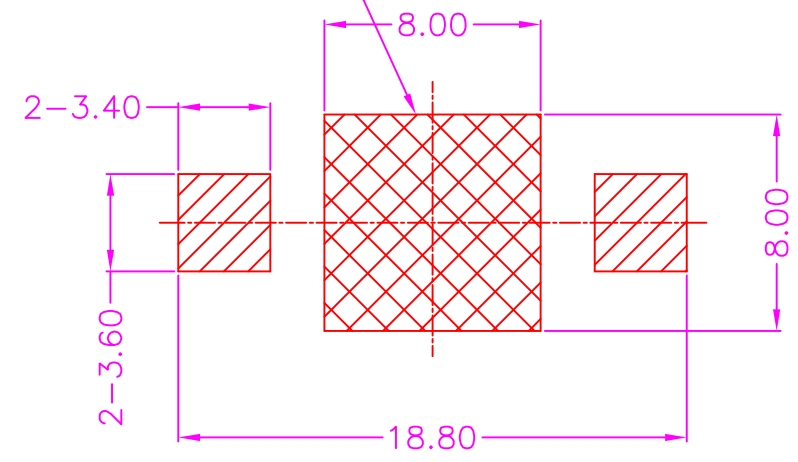
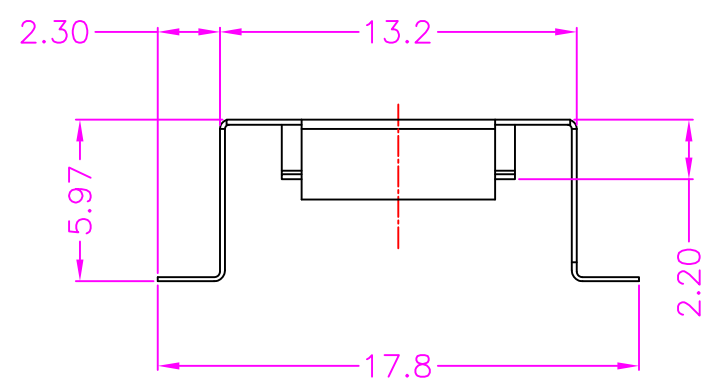


CONTACT PAD
NICKEL OR GOLD PLATED



P.C.B LAYOUT
TOP VIEW ±0.05



MATERIALS

SHELL: COPPER ALLOY, NICKEL PLATING

PART NUMBER:

ABRRB - N - 0 * 1

SERIES

PACKAGE OPTION
2: TAPE REEL
4: BAG

NICKEL PLATING ON SHELL



TOLERANCES	
X.±0.40	.XX±0.20
.X±0.30	.XXX±0.10

REV.	A

DRAWN BY	Zhong 2020/2/29
APPROVED BY	Lion 2020/2/29

TITLE	BATTERY HOLDER, SMT, FULL METAL SHIELD, LR44 & AG13				
DRAW NO.	ABRRB-001	UNIT	MM	Sheet	1/1