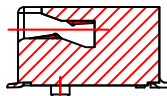
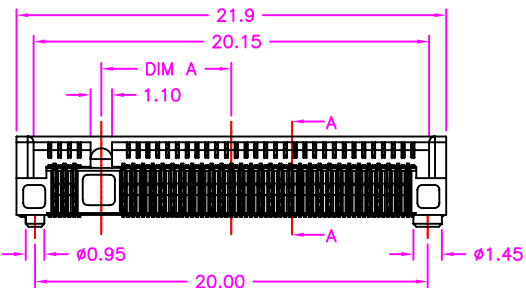


MATERIALS

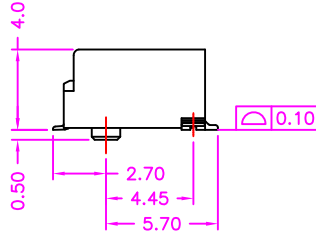
HOUSING: HI-TEMP. PLASTIC (UL 94V-0), BLACK  
 SOLDER PEG: STAINLESS STEEL, TIN PLATING  
 TERMINAL: COPPER ALLOY, GOLD PLATED

SPECIFICATION

CURRENT RATING: 0.5 AMP MAX  
 DIELECTRIC WITHSTANDING: 300V AC FOR ONE MINUTE  
 CONTACT RESISTANCE: 55m OHMS MAX  
 INSULATION RESISTANCE: 500M OHMS MIN AT DC 500V  
 OPERATION TEMPERATURE: -40°C~+80°C



SECTION:A-A SCALE:1:1

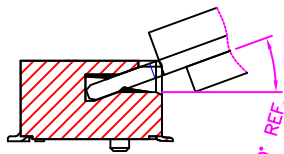
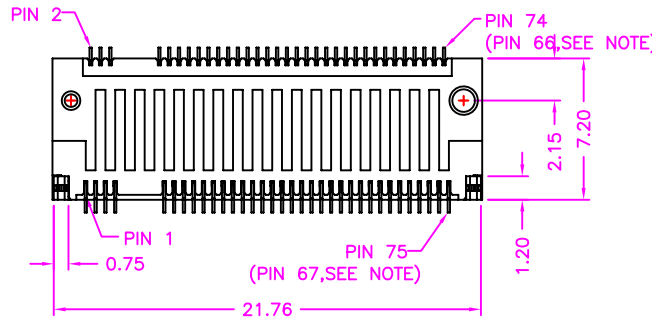


PART NUMBER:

MCEGT - 6 7 \* - 1 \* 1 \*

- SERIES
- NO. OF POS.
- CONTACT PLATED OPTION
- KEY TYPE OPTION
- A: A TYPE
- B: B TYPE
- C: C TYPE
- D: D TYPE
- E: E TYPE
- F: F TYPE
- G: G TYPE
- H: H TYPE
- J: J TYPE
- K: K TYPE
- L: L TYPE
- M: M TYPE

- PACKAGE OPTION
- 2: TAPE REEL, EMBOSS WIDTH 32mm
- B: TAPE REEL, EMBOSS WIDTH 44mm



MATING ANGLE ILLUSTRATION

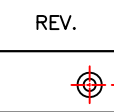
NOTE:  
 CONNECTOR ACTUAL PIN QUANTITY IS 67,  
 AS THE KEY TAKING OUT 8 PINS

M	PIN 59-66	-6.125	14.0	2.0	14.0	1.5	1.125	1.375
L	PIN 55-62	-5.125	13.0	3.0	13.0	2.5	1.125	1.375
K	PIN 51-58	-4.125	12.0	4.0	12.0	3.5	1.125	1.375
J	PIN 47-54	-3.125	11.0	5.0	11.0	4.5	1.125	1.375
H	PIN 43-50	-2.125	10.0	6.0	10.0	5.5	1.125	1.375
G	PIN 39-46	-1.125	9.0	7.0	9.0	6.5	1.125	1.375
F	PIN 28-35	1.625	6.5	9.5	6.0	9.5	1.375	1.125
E	PIN 24-31	2.625	5.5	10.5	5.0	10.5	1.375	1.125
D	PIN 20-27	3.625	4.5	11.5	4.0	11.5	1.375	1.125
C	PIN 16-23	4.625	3.5	12.5	3.0	12.5	1.375	1.125
B	PIN 12-19	5.625	2.5	13.5	2.0	13.5	1.375	1.125
A	PIN 8-15	6.625	1.5	14.5	1.0	14.5	1.375	1.125

**ZICONN**  
 ELECTRONIC CO., LTD.  
 WWW.ZICONN.COM 886-3-4687695

TOLERANCES

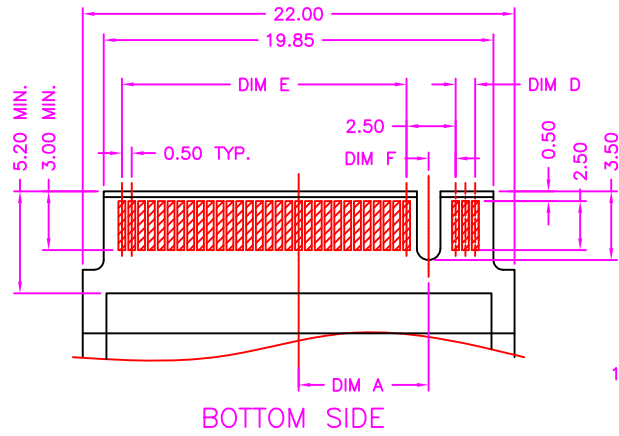
X.±0.40	.XX±0.20
.X±0.30	.XXX±0.10



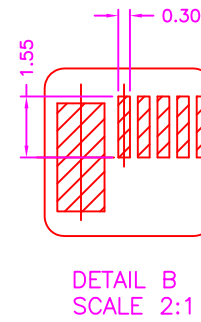
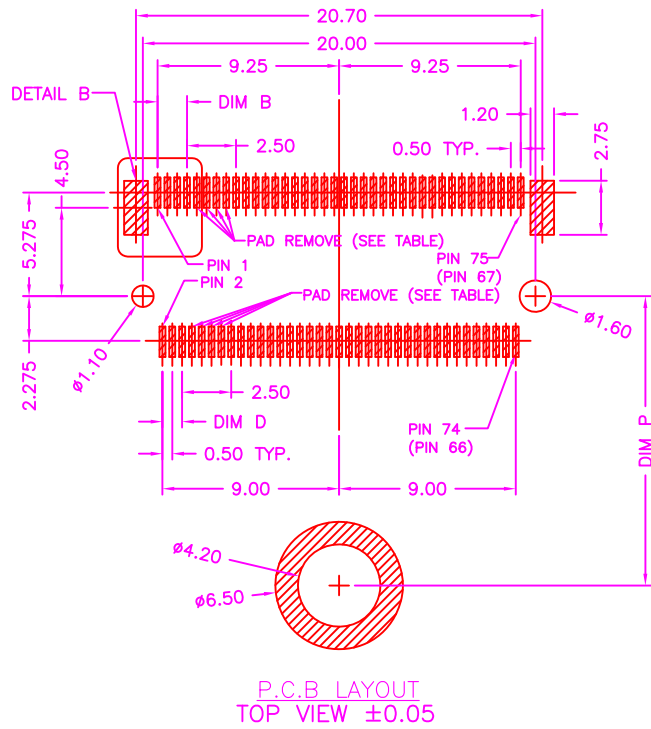
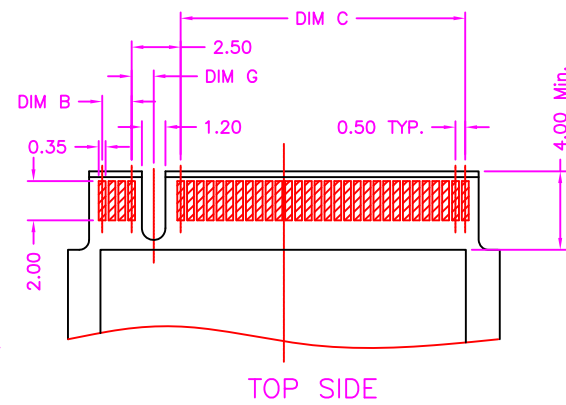
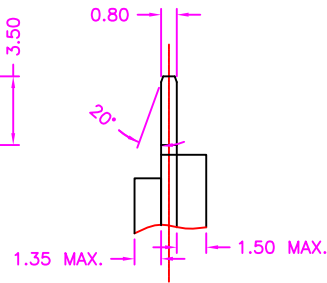
REV. A

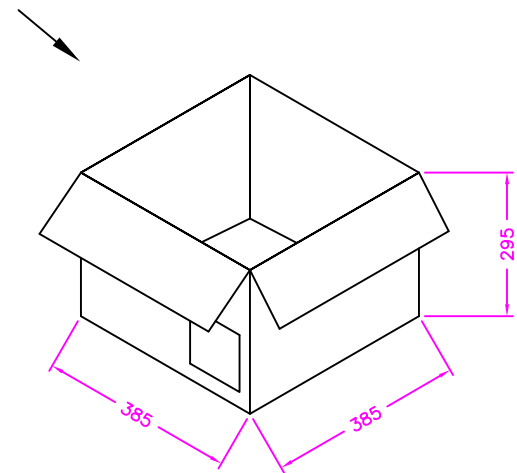
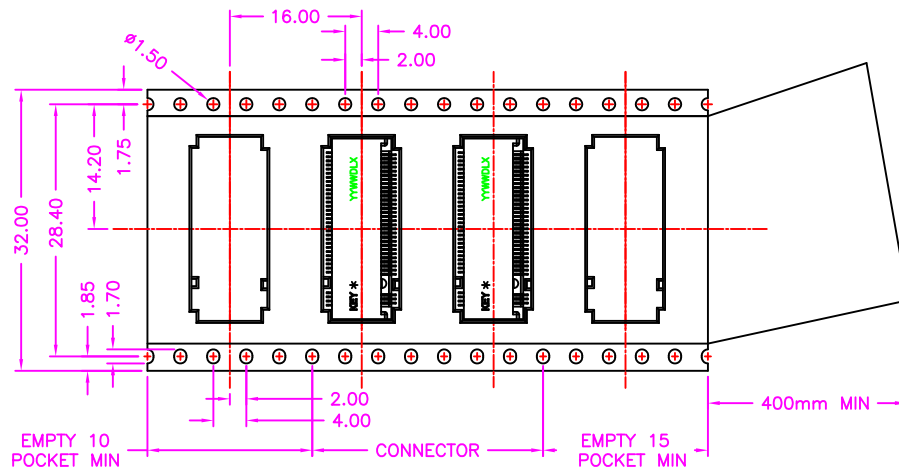
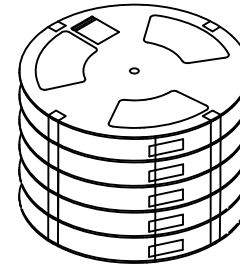
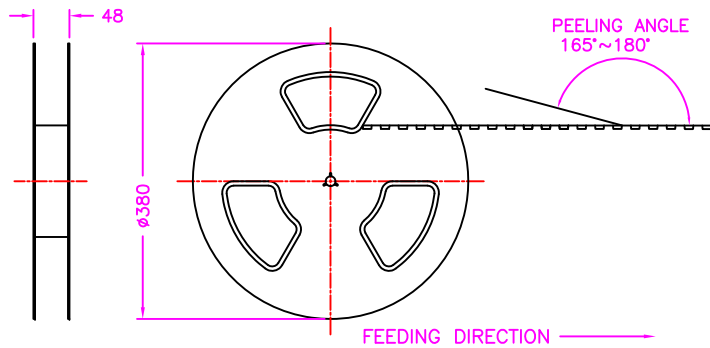
DRAWN BY Zhong 2018/3/6  
 APPROVED BY Lion 2018/3/6

TITLE	NGFF(M.2), 0.5mm PITCH, PCB MOUNT, SMT, 1 KEY WITH PAD FEMALE, H=4.00mm			
DRAW NO.	MCEGT-001	UNIT	MM	Sheet
				1/4



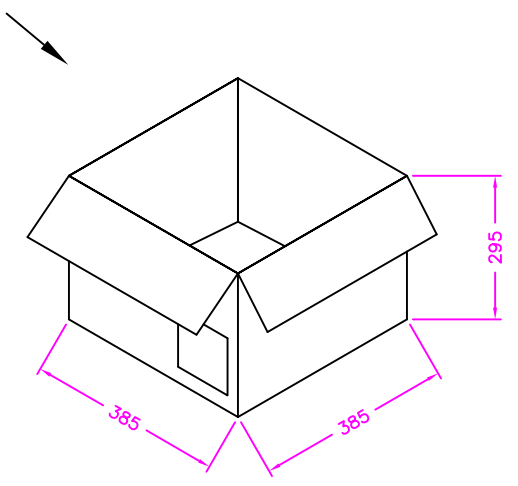
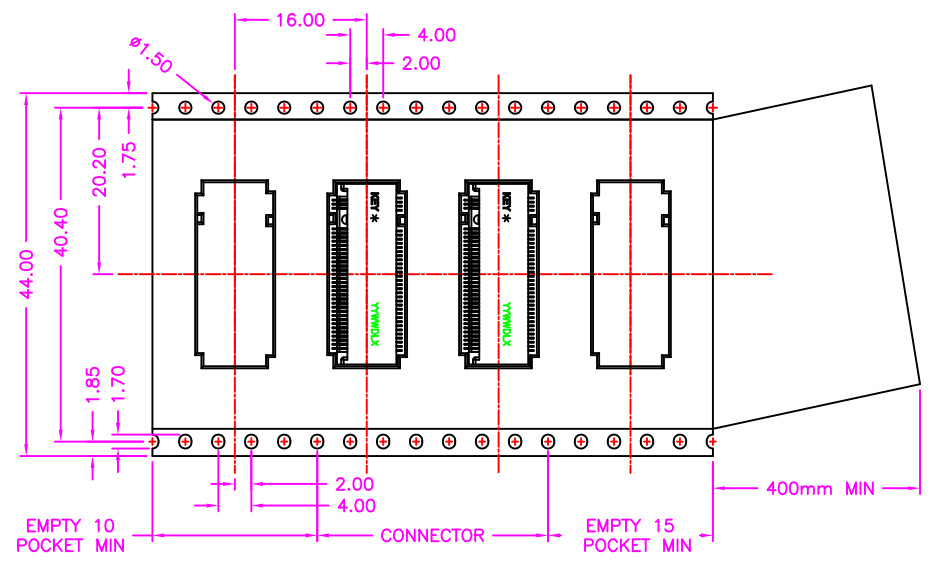
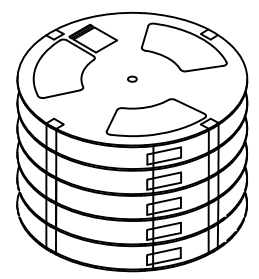
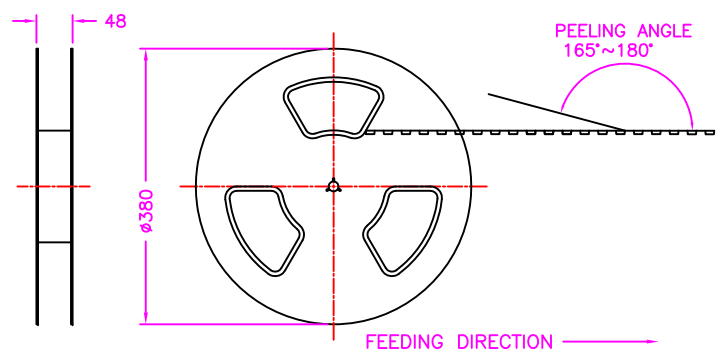
PLUG PCB





EMBOSS WIDTH 32mm

NOTE: 1100PCS/ REEL, 6600PCS/ 6 REEL/ CARTON



EMBOSS WIDTH 44mm  
NOTE: 1100PCS/ REEL, 5500PCS/ 5 REEL/ CARTON