

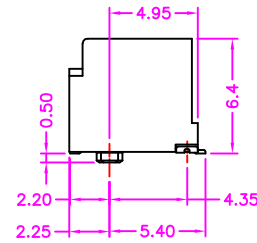
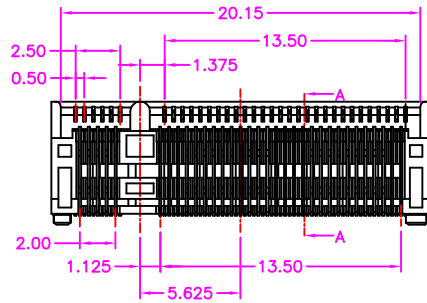
SECTION: A-A
SCALE: 1:1

MATERIALS

HOUSING: HI-TEMP. PLASTIC (UL 94V-0), BLACK
 SOLDER PEG: STAINLESS STEEL, TIN PLATING
 TERMINAL: COPPER ALLOY, GOLD PLATED

SPECIFICATION

CURRENT RATING: 0.5 AMP MAX
 DIELECTRIC WITHSTANDING: 300V AC FOR ONE MINUTE
 CONTACT RESISTANCE: 55m OHMS MAX
 INSULATION RESISTANCE: 500M OHMS MIN AT DC 500V
 OPERATION TEMPERATURE: -40°C~+80°C



PART NUMBER:

MCEGT - 6 7 * - 1 * 6 B

SERIES

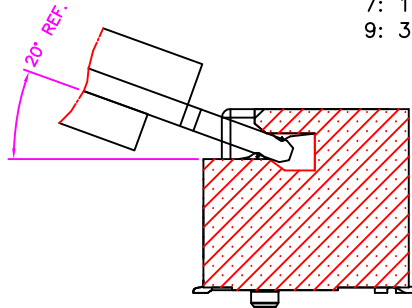
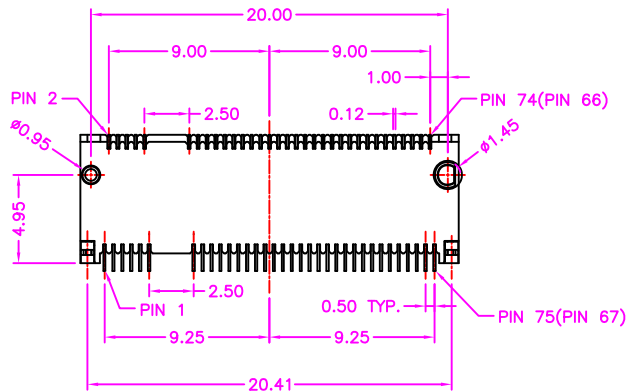
NO. OF POS.

PACKAGE OPTION

2: TAPE REEL, EMBOSS WIDTH 32mm
 B: TAPE REEL, EMBOSS WIDTH 44mm

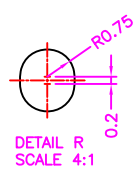
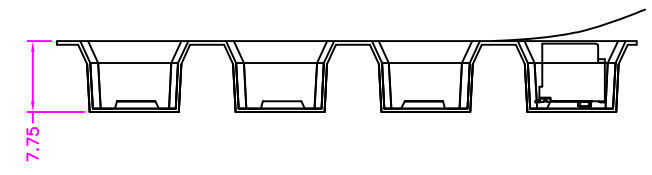
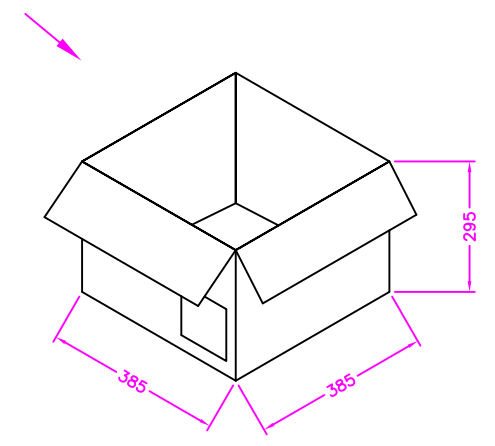
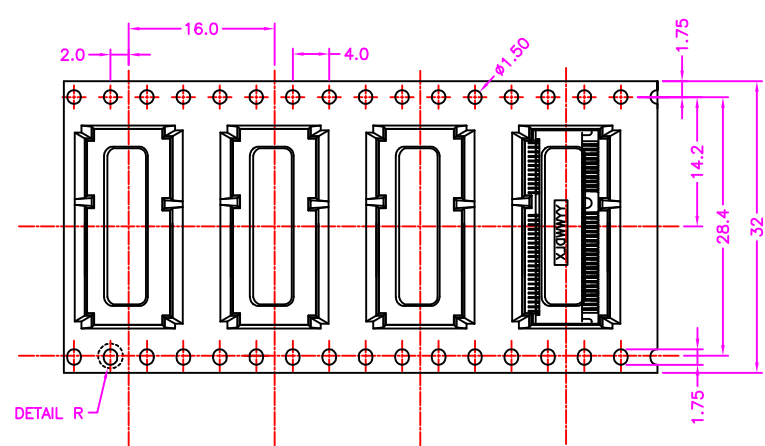
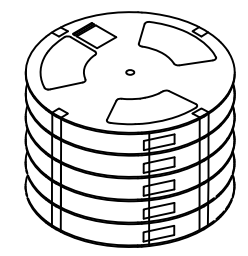
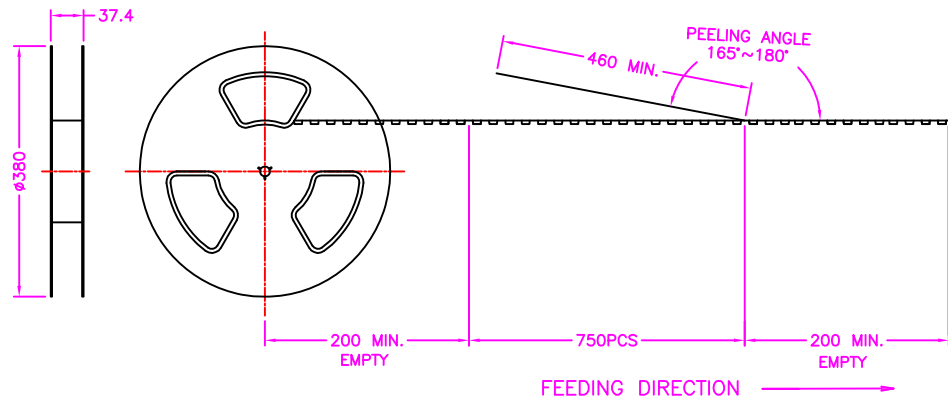
CONTACT PLATED OPTION

- 1: GOLD FLASH
- 3: 3u" GOLD
- 5: 5u" GOLD
- 6: 10u" GOLD
- 7: 15u" GOLD
- 9: 30u" GOLD

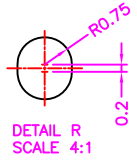
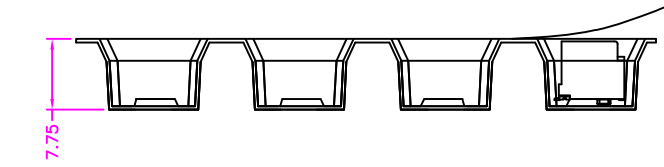
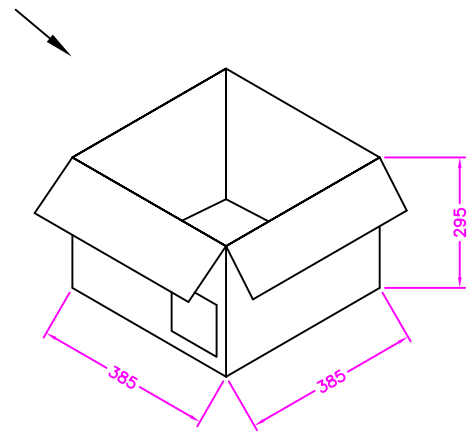
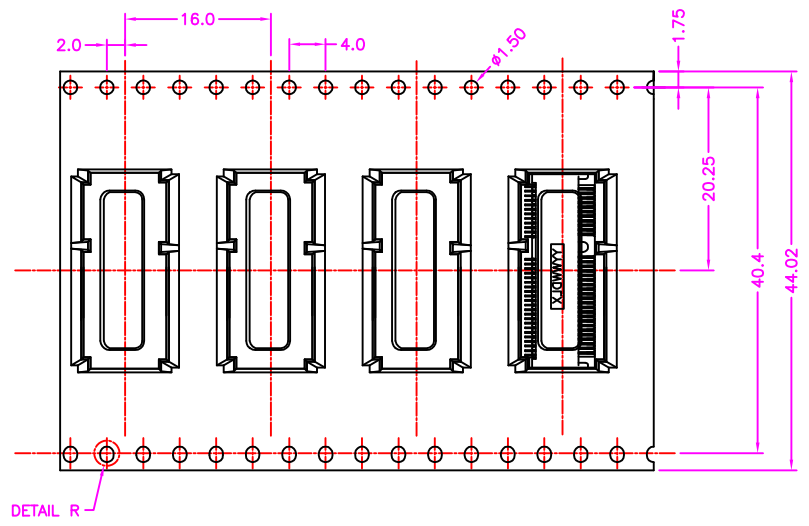
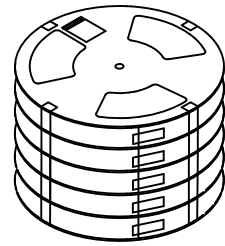
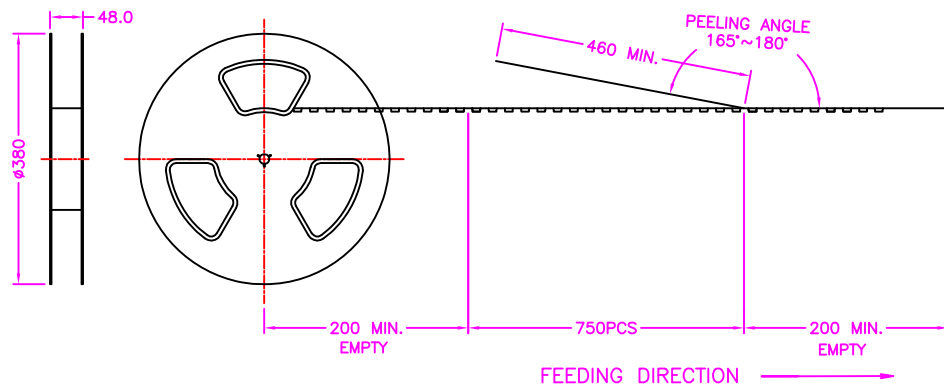


MATING ANGLE
ILLUSTRATION

NOTE:
 CONNECTOR ACTUAL PIN QUANTITY IS 67,
 AS THE KEY TAKING OUT 8 PINS



EMBOSS WIDTH 32mm, SLOT FORWARD
 NOTE: 750PCS/ REEL, 4500PCS/ 6 REEL/ CARTON



EMBOSS WIDTH 44mm, SLOT BACKWARD
 NOTE: 750PCS/ REEL, 3750PCS/ 5 REEL/ CARTON