

**MATERIALS**

HOUSING: HI-TEMP. PLASTIC (UL 94V-0), BLACK  
 LATCH: SUS, TIN PLATING  
 TERMINAL: COPPER ALLOY, GOLD PLATED ON CONTACT AREA  
 TIN PLATING ON SOLDER TAIL

**SPECIFICATION**

CURRENT RATING: 0.5 AMP MAX  
 DIELECTRIC WITHSTANDING: 250V AC FOR ONE MINUTE  
 CONTACT RESISTANCE: 30m OHMS MAX  
 INSULATION RESISTANCE: 500M OHMS MIN AT DC 500V  
 OPERATION TEMPERATURE: -55°C~+85°C

**PART NUMBER:**

MMSLF - 1 2 4 \* T - 1 \* 2

SERIES — NO. OF POS. — PACKAGE OPTION  
 1: TRAY  
 2: TAPE REEL

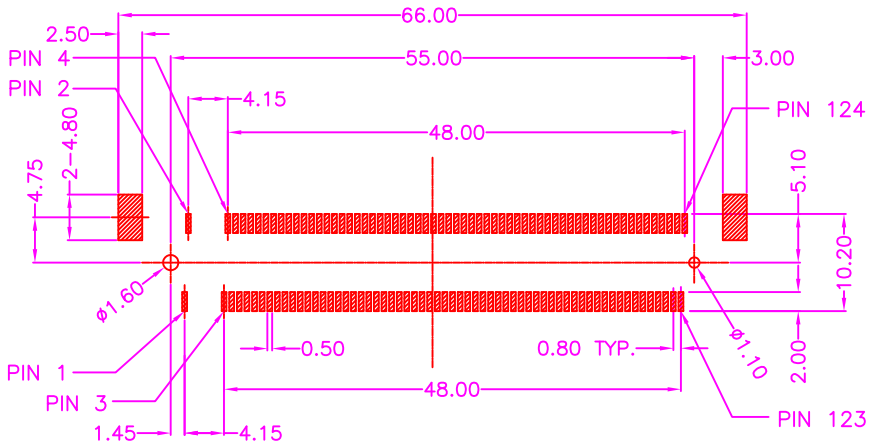
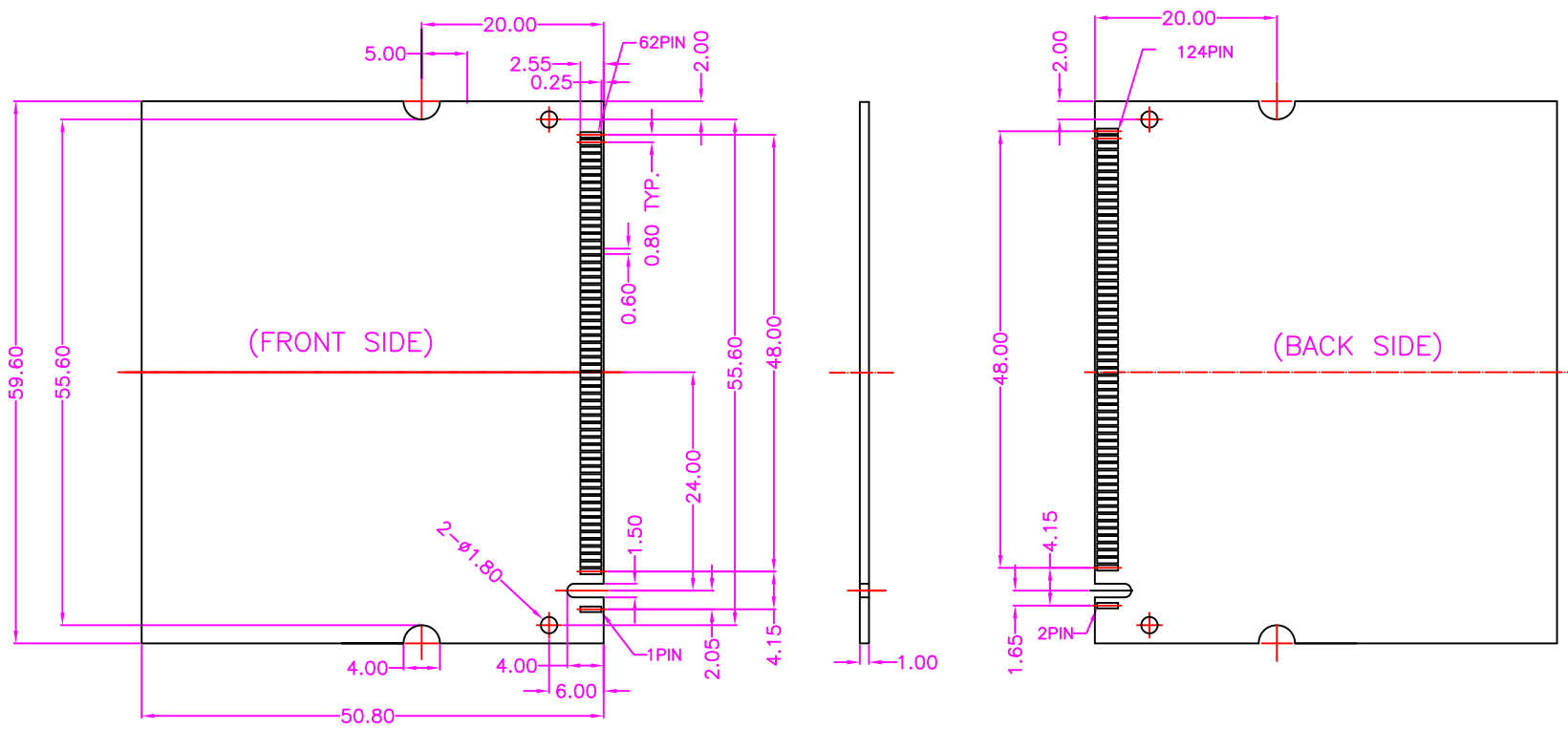
CONTACT PLATED OPTION — TIN PLATING ON SOLDER TAIL

- 1: GOLD FLASH
- 2: 2u" GOLD
- 3: 3u" GOLD
- 5: 5u" GOLD
- 6: 10u" GOLD
- 7: 15u" GOLD
- 9: 30u" GOLD



TOLERANCES	
X.±0.40	.XX±0.20
.X±0.30	.XXX±0.10

REV.	A	DRAWN BY	Zhong 2018/10/19	TITLE	MINI PCI SOCKET 124 PIN, 0.80mm PITCH, PCB MOUNT, SMT, FEMALE WITH LATCH & POST (H=5.20mm)				
		APPROVED BY	Lion 2018/10/19	DRAW NO.	MMSLF-002	UNIT	MM	Sheet	1/4



P.C.B. LAYOUT  
TOP VIEW ±0.05



TOLERANCES	
X.±0.40	.XX±0.20
.X±0.30	.XXX±0.10

REV.	A	DRAWN BY	Zhong 2018/10/19	TITLE	MINI PCI SOCKET 124 PIN, 0.80mm PITCH, PCB MOUNT, SMT, FEMALE WITH LATCH & POST (H=5.20mm)				
		APPROVED BY	Lion 2018/10/19	DRAW NO.	MMSLF-002	UNIT	MM	Sheet	2/4

A

B

C

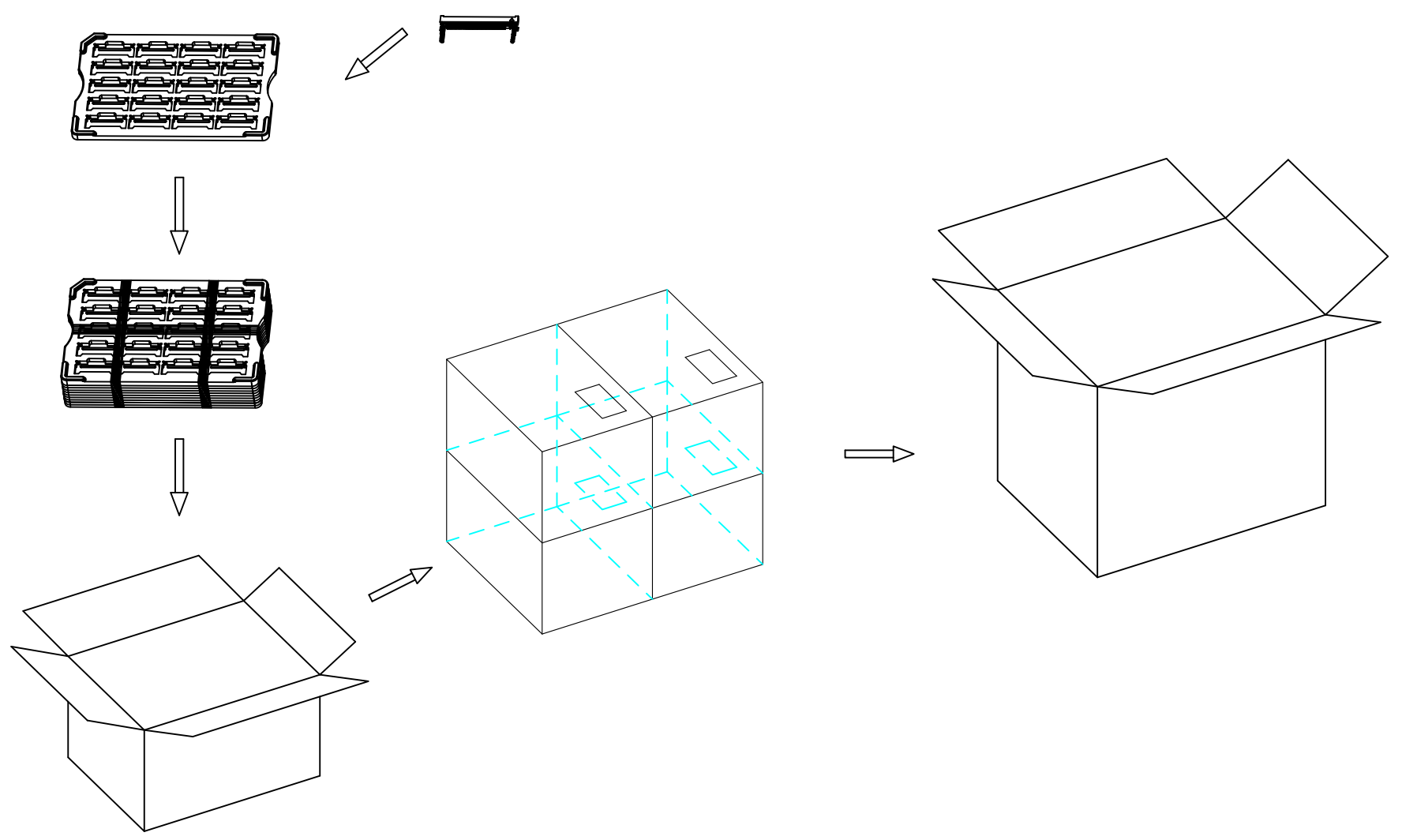
D

A

B

C

D



NOTES: 20 PCS/TRAY,  
260PCS/INNER BOX,  
1040PCS/ 52 TRAY/ 4 INNER BOX/CARTON



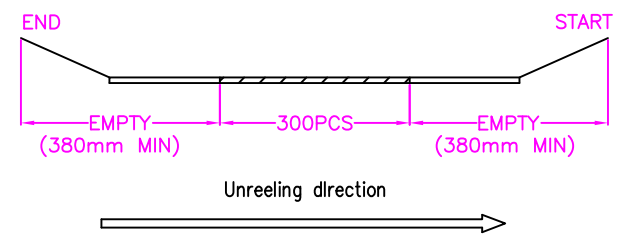
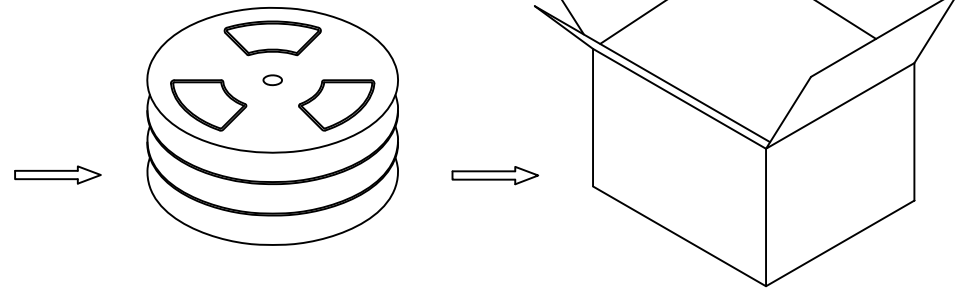
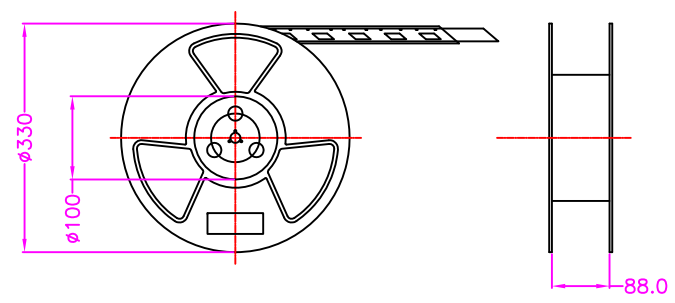
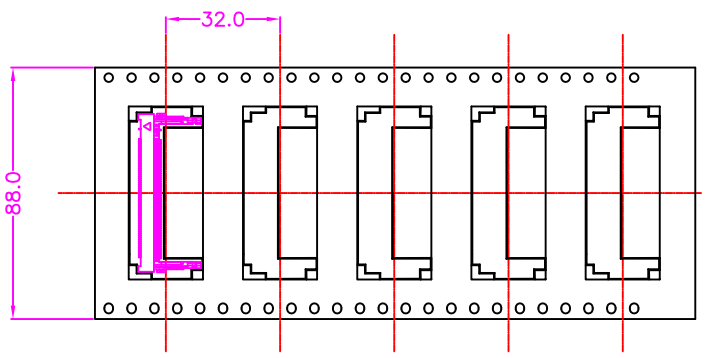
TOLERANCES	
X.±0.40	.XX±0.20
.X±0.30	.XXX±0.10

REV.	A

DRAWN BY	Zhong 2018/10/19
APPROVED BY	Lion 2018/10/19

TITLE	MINI PCI SOCKET 124 PIN, 0.80mm PITCH, PCB MOUNT, SMT, FEMALE WITH LATCH & POST (H=5.20mm)
DRAW NO.	MMSLF-002

UNIT	MM	Sheet	3/4
------	----	-------	-----



NOTE: 250PCS/ REEL, 750PCS/ 3 REEL/CARTON



TOLERANCES	
X.±0.40	.XX±0.20
.X±0.30	.XXX±0.10

REV.	A

DRAWN BY	Zhong 2018/10/19
APPROVED BY	Lion 2018/10/19

TITLE	MINI PCI SOCKET 124 PIN, 0.80mm PITCH, PCB MOUNT, SMT, FEMALE WITH LATCH & POST (H=5.20mm)				
DRAW NO.	MMSLF-002	UNIT	MM	Sheet	4/4