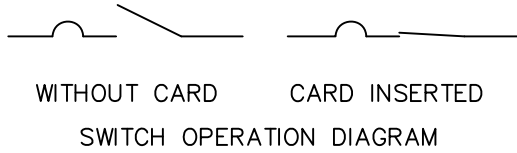


ELECTRIC FUNCTION	DETECT SWITCH
WITHOUT CARD	OPEN
CARD INSERTRD	CLOSED



MATERIALS

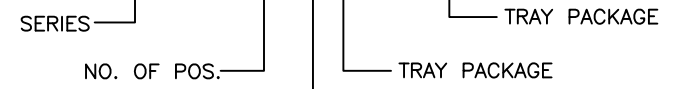
HOUSING: LCP (UL 94V-0), BLACK
 TERMINAL: COPPER ALLOY, GOLD PLATED ON CONTACT AREA
 TIN PLATING ON SOLDER TAIL

SPECIFICATION

CURRENT RATING: 1.0 AMP MAX
 DIELECTRIC WITHSTANDING: 500V AC FOR ONE MINUTE
 CONTACT RESISTANCE: 50m OHMS MAX
 INSULATION RESISTANCE: 1000M OHMS MIN AT DC 500V
 OPERATION TEMPERATURE: -40°C~+85°C

PART NUMBER:

MMCSB - 1 0 * T - 1 1 3



CONTACT PLATED OPTION

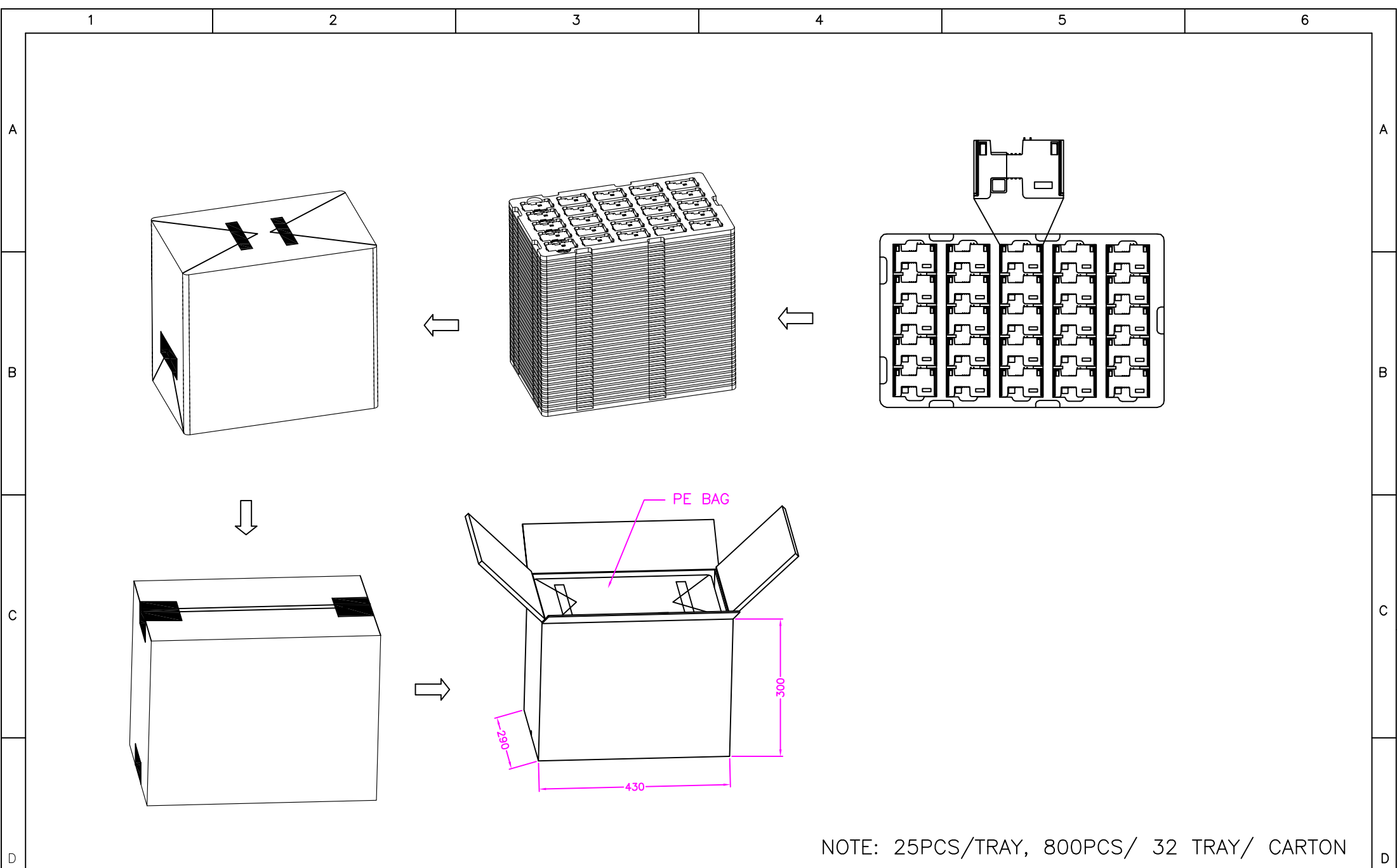
- 1: GOLD FLASH
- 3: 3u" GOLD
- 5: 5u" GOLD
- 6: 10u" GOLD
- 7: 15u" GOLD
- 9: 30u" GOLD



TOLERANCES

X.±0.40	.XX±0.20
.X±0.30	.XXX±0.10

REV.	A	DRAWN BY	Zhong 2021/9/8	TITLE	SMART CARD, 2.54mm PITCH, PCB MOUNT, SMT, FEMALE				
		APPROVED BY	Lion 2021/9/8	DRAW NO.	MMCSB-003	UNIT	MM	Sheet	1/2



NOTE: 25PCS/TRAY, 800PCS/ 32 TRAY/ CARTON



TOLERANCES	
X.±0.40	.XX±0.20
.X±0.30	.XXX±0.10

REV.	A

DRAWN BY	Zhong 2021/9/8
APPROVED BY	Lion 2021/9/8

TITLE	SMART CARD, 2.54mm PITCH, PCB MOUNT, SMT, FEMALE				
DRAW NO.	MMCSB-003	UNIT	MM	Sheet	2/2