

PART NUMBER:

BUSJB - 2 4 * - 1 2 L

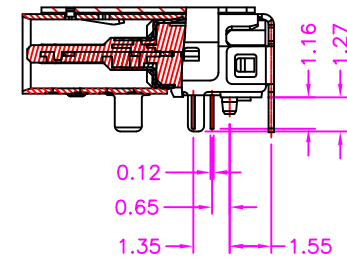
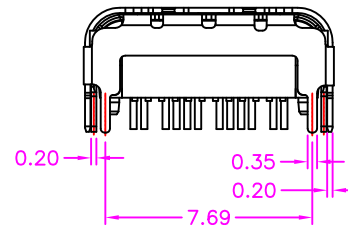
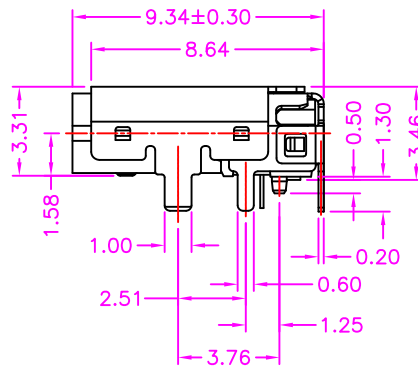
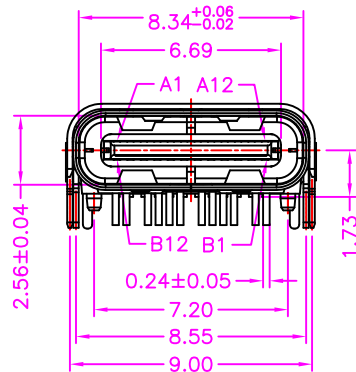
SERIES

NO. OF POS.

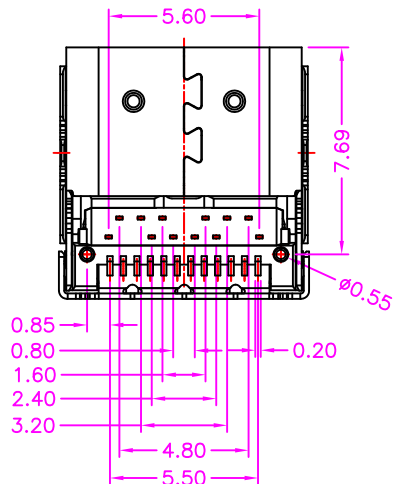
TAPE REEL PACKAGE

CONTACT PLATED OPTION

- 1: GOLD FLASH
- 3: 3u" GOLD
- 5: 5u" GOLD
- 6: 10u" GOLD
- 7: 15u" GOLD
- 9: 30u" GOLD



SECTION A-A

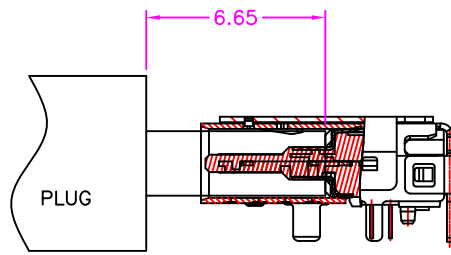


MATERIALS

HOUSING: HI-TEMP. PLASTIC (UL 94V-0), BLACK
 TOP SHELL: STAINLESS STEEL, NICKEL PLATING
 SHELL: STAINLESS STEEL, NICKEL PLATING
 TERMINAL: COPPER ALLOY, GOLD PLATED

SPECIFICATION

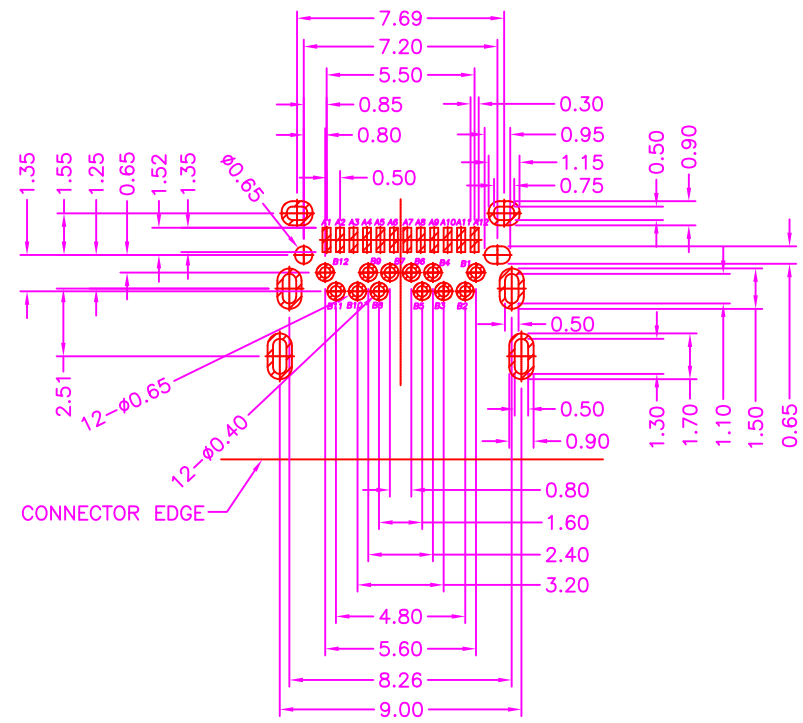
CURRENT RATING:
 1.5A FOR VBUS (A4,A9,B4,B9)
 1.25A FOR VCONN (B5)
 1.25A FOR GND (A1,A12,B1,B12)
 0.25A FOR ALL THE OTHERS CONTACTS
 DIELECTRIC WITHSTANDING: 100V AC FOR ONE MINUTE
 CONTACT RESISTANCE:
 40m OHMS MAX INITIAL
 50m OHMS MAX AFTER ENVIRONMENTAL TEST
 INSULATION RESISTANCE: 100M OHMS MIN AT DC 300V
 OPERATION TEMPERATURE: -40°C~+85°C



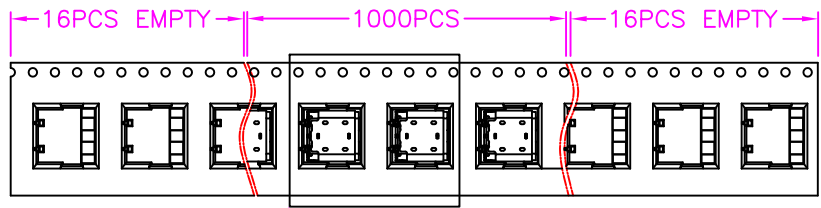
AFTER MATING

USB TYPE-C PIN ASSIGNMENTS

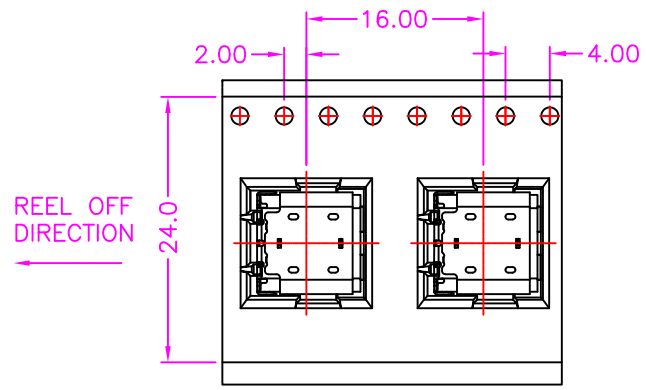
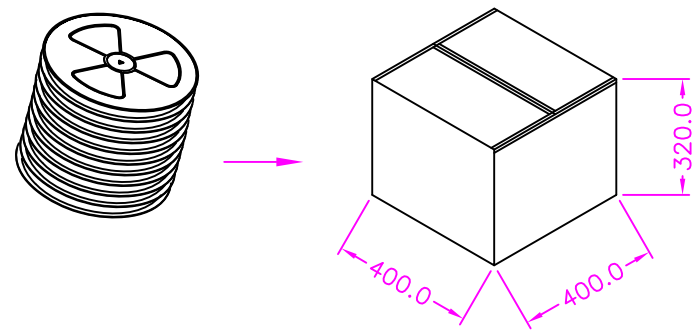
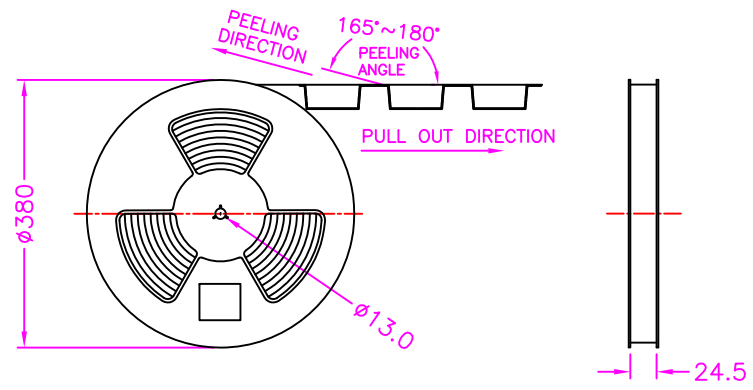
PIN NUMBER	SIGNAL NAME	PIN NUMBER	SIGNAL NAME
A1	GND	B12	GND
A2	SSTXp1	B11	SSRXp1
A3	SSTXn1	B10	SSRXn1
A4	Vbus	B9	Vbus
A5	CC1	B8	SBU2
A6	Dp1	B7	Dn2
A7	Dn1	B6	Dp2
A8	SBU1	B5	CC2
A9	Vbus	B4	Vbus
A10	SSRXn2	B3	SSTXn2
A11	SSRXp2	B2	SSTXp2
A12	GND	B1	GND



P.C.B. LAYOUT
TOP VIEW±0.05



SEE DETAIL X



DETAIL X
SCALE 2:1

NOTE: 1000PCS/ REEL, 10000PCS/ 10 REEL/ CARTON