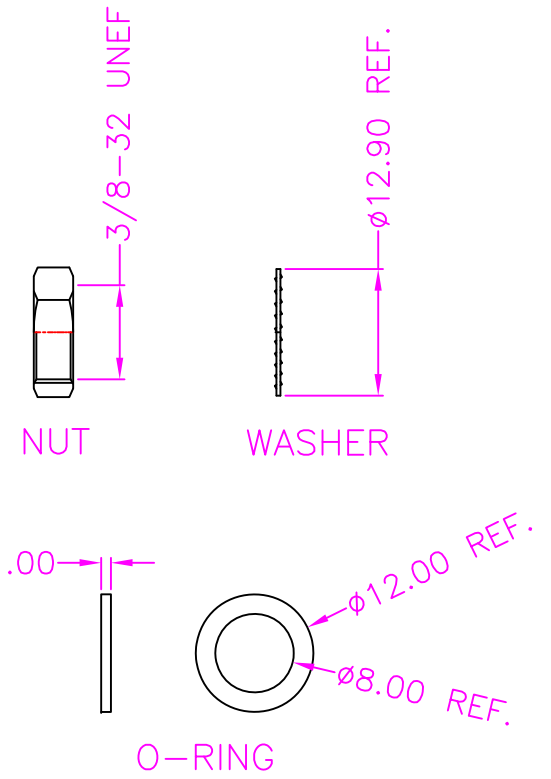
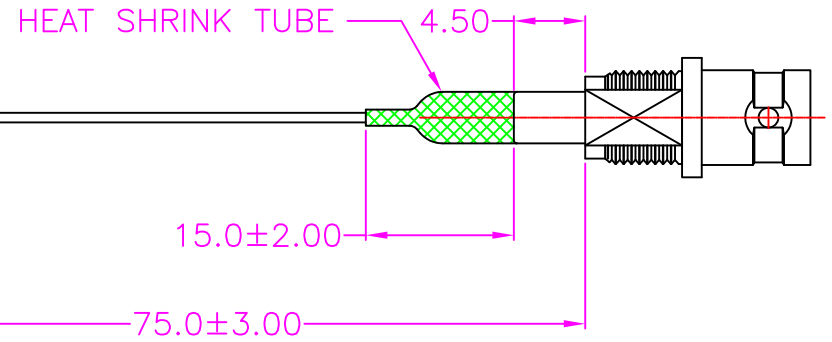
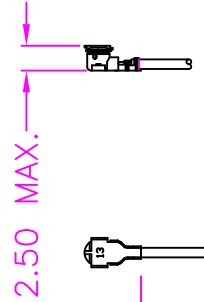


MATED VIEW



P1: RF1

P2: BNC

INFORMATION

- P1: RF1, BLACK IN INSULATOR COLOR, GOLD PLATED ON SHELL
GOLD PLATING ON CONTACT AREA
- P2: BNC, WHITE IN INSULATOR COLOR, NICKEL PLATED ON SHELL
GOLD PLATING ON CONTACT AREA
- CABLE: 1.13mm
- HEAT SHRINK TUBE: THERMOPLASTIC, BLACK
- NUT: SPCC, NICKEL PLATING
- WASHER: SPCC, NICKEL PLATING
- O-RING: RUBBER, RED

SPECIFICATION

- IMPEDANCE: 50 OHMS
- FREQUENCY RANGE: 0-4 GHz
- VSWR: 1.30 MAX

PART NUMBER:

LPXBN - * 1 - 7 1 *

SERIES

CONTACT PLATED OPTION

- 1: GOLD FLASH
- 3: 3u" GOLD
- 5: 5u" GOLD
- 6: 10u" GOLD
- 7: 15u" GOLD
- 9: 30u" GOLD

CABLE COLOR OPTION
 BLANK: BLACK
 G: GRAY
 W: WHITE

B	MODIFY CABLE DIM.	2021.11.2
A	RELEASE	2021.2.25
REV.	DESCRIPTION	DATE

 ZICONN ELECTRONIC CO., LTD. WWW.ZICONN.COM 886-3-4687695	TOLERANCES		REV.	A	DRAWN BY	Zhong 2021/2/25	TITLE	MICRO COAXIAL (RF1) R/A FEMALE TO BNC VERTICAL FEMALE, CABLE			
	X.±1.00 .XX±0.40	.X±0.50 .XXX±0.30			APPROVED BY	Lion 2021/2/25	DRAW NO.	LPXBN-001	UNIT	MM	Sheet