

MATERIALS

HOUSING: HI-TEMP. PLASTIC (UL 94V-0), BLACK
 SHELL: STAINLESS STEEL, NICKEL PLATING
 SOLDER PAD: STAINLESS STEEL, GOLD PLATED
 TERMINAL: COPPER ALLOY, GOLD PLATED ON CONTACT AREA
 TIN PLATING ON SOLDER TAIL

SPECIFICATION

CURRENT RATING: 3 AMP MAX
 DIELECTRIC WITHSTANDING: 350V AC FOR ONE MINUTE
 INSULATION RESISTANCE: 1000M OHMS MIN AT DC 250V
 OPERATION TEMPERATURE: -40°C~+85°C

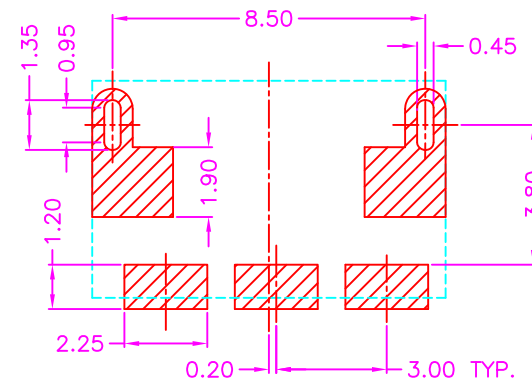
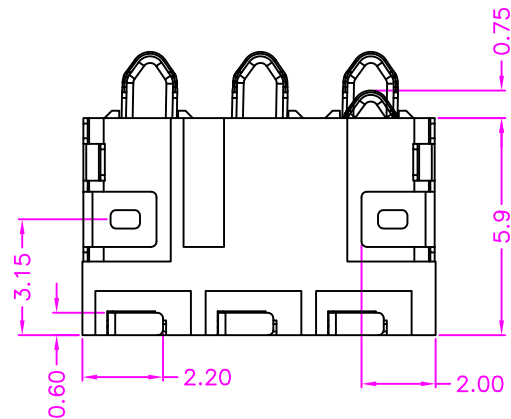
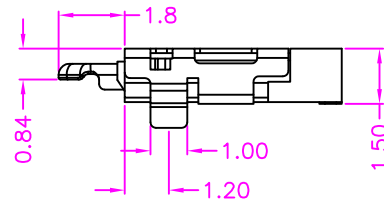
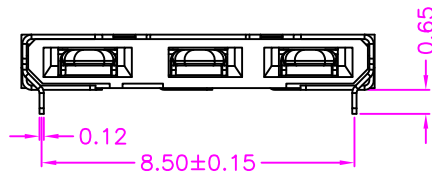
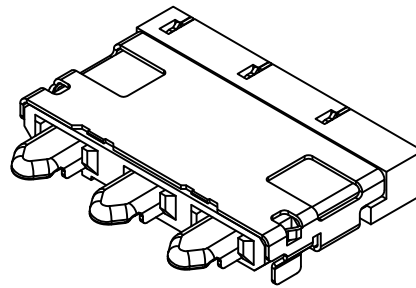
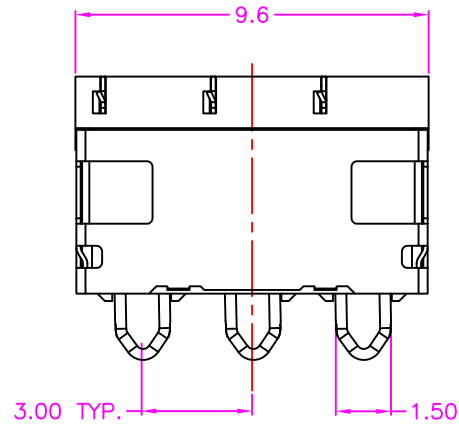
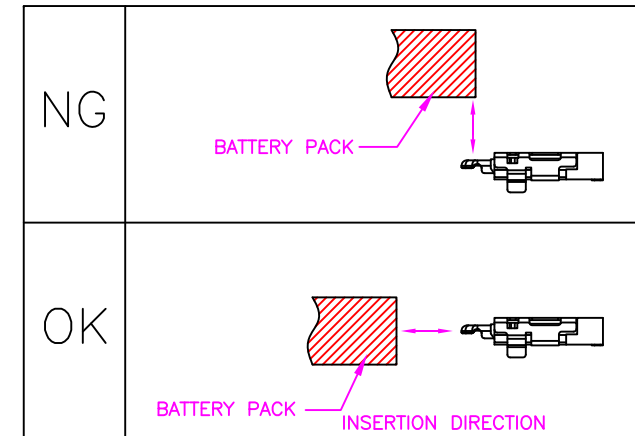
PART NUMBER:

ABTDV - 0 3 * T - 1 2 2

SERIES ————
 NO. OF POS. ————
 T ————
 1 2 2 ———— TAPE REEL PACKAGE
 ———— TIN PLATING ON SOLDER TAIL

CONTACT PLATED OPTION

- 1: GOLD FLASH
- 3: 3u" GOLD
- 5: 5u" GOLD
- 6: 10u" GOLD
- 7: 15u" GOLD
- 9: 30u" GOLD



P.C.B. LAYOUT
 TOP VIEW ±0.05