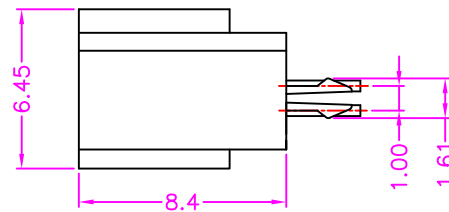
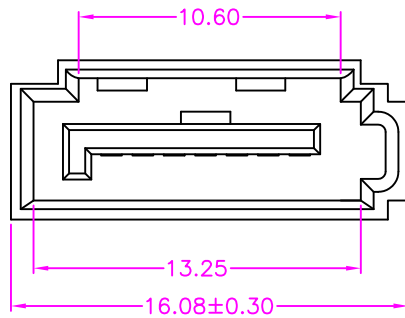


### MATERIALS

HOUSING: HI-TEMP. PLASTIC (UL 94V-0), BLACK  
 BOARDLOCK: COPPER ALLOY, TIN PLATING  
 TERMINAL: COPPER ALLOY, GOLD PLATED ON CONTACT AREA  
 TIN PLATING ON SOLDER TAIL

### SPECIFICATION

CURRENT RATING: 1.5 AMP MAX  
 DIELECTRIC WITHSTANDING: 500V AC FOR ONE MINUTE  
 CONTACT RESISTANCE: 30m OHMS MAX  
 INSULATION RESISTANCE: 1000M OHMS MIN AT DC 500V  
 OPERATION TEMPERATURE: -40°C~+85°C



### PART NUMBER:

BSAEE - 0 7 \* T - 2 1 1

SERIES — NO. OF POS. — CONTACT PLATED OPTION — TRAY PACKAGE — TIN PLATING ON SOLDER TAIL —

- 1: GOLD FLASH
- 3: 3u" GOLD
- 5: 5u" GOLD
- 6: 10u" GOLD
- 7: 15u" GOLD
- 9: 30u" GOLD

