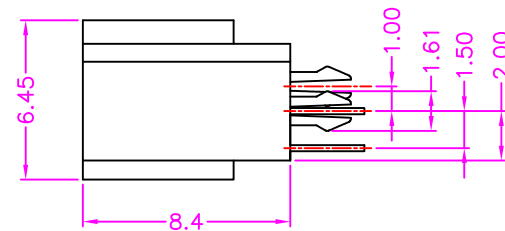
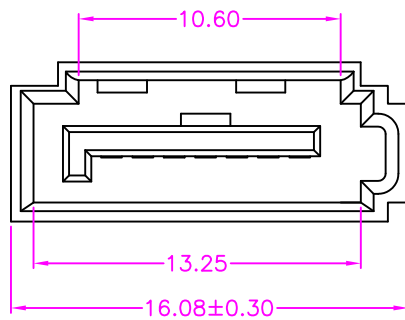


MATERIALS

HOUSING: HI-TEMP. PLASTIC (UL 94V-0), BLACK
 BOARDLOCK: COPPER ALLOY, TIN PLATING
 TERMINAL: COPPER ALLOY, GOLD PLATED ON CONTACT AREA
 TIN PLATING ON SOLDER TAIL

SPECIFICATION

CURRENT RATING: 1.5 AMP MAX
 DIELECTRIC WITHSTANDING: 500V AC FOR ONE MINUTE
 CONTACT RESISTANCE: 30m OHMS MAX
 INSULATION RESISTANCE: 1000M OHMS MIN AT DC 500V
 OPERATION TEMPERATURE: -40°C~+85°C



PART NUMBER:

BSAEE - 0 7 * T - 2 1 2

SERIES —
 NO. OF POS. —
 CONTACT PLATED OPTION —
 TRAY PACKAGE
 TIN PLATING ON SOLDER TAIL

- 1: GOLD FLASH
- 3: 3u" GOLD
- 5: 5u" GOLD
- 6: 10u" GOLD
- 7: 15u" GOLD
- 9: 30u" GOLD

