

A

A

B

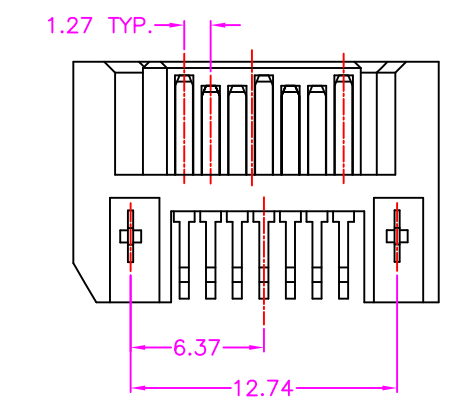
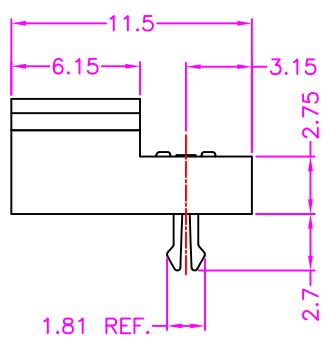
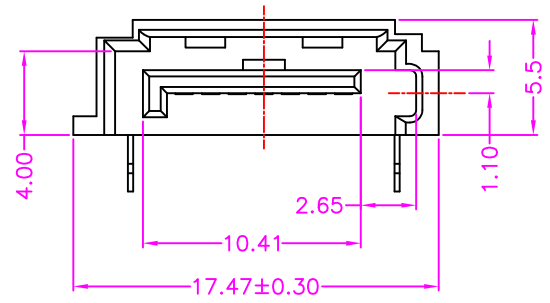
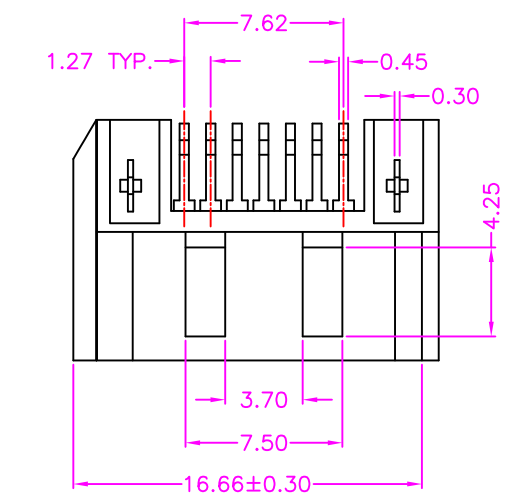
B

C

C

D

D



MATERIALS

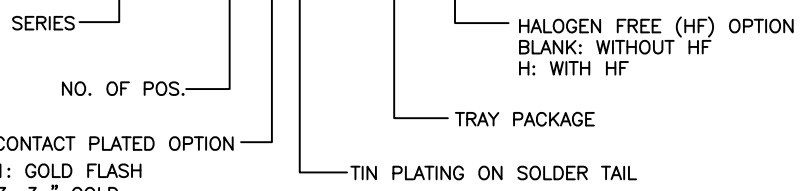
HOUSING: LCP (UL 94V-0), BLACK
 SPRING: COPPER ALLOY, TIN PLATING
 TERMINAL: COPPER ALLOY, GOLD PLATED ON CONTACT AREA
 TIN PLATING ON SOLDER TAIL

SPECIFICATION

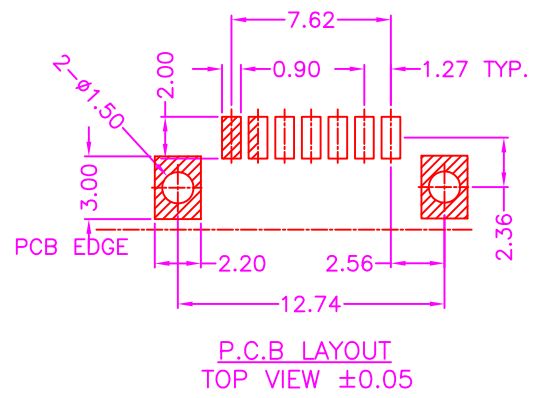
CURRENT RATING: 1.5 AMP MAX
 DIELECTRIC WITHSTANDING: 500V AC FOR ONE MINUTE
 CONTACT RESISTANCE: 30m OHMS MAX
 INSULATION RESISTANCE: 1000M OHMS MIN AT DC 500V
 OPERATION TEMPERATURE: -40°C~+85°C

PART NUMBER:

BSAFE - 0 7 * T - 2 1 1 *



- CONTACT PLATED OPTION
- 1: GOLD FLASH
 - 3: 3u" GOLD
 - 5: 5u" GOLD
 - 6: 10u" GOLD
 - 7: 15u" GOLD
 - 9: 30u" GOLD



TOLERANCES

X.±0.40	.XX±0.20
.X±0.30	.XXX±0.10

REV.	A	DRAWN BY	Zhong 2021/10/26
		APPROVED BY	Lion 2021/10/26

TITLE	SATA 7PIN, PCB MOUNT, SMT, ALL PLASTIC WITH BOARDLOCK, MALE			
DRAW NO.	BSAFE-001	UNIT	MM	Sheet
				1/1