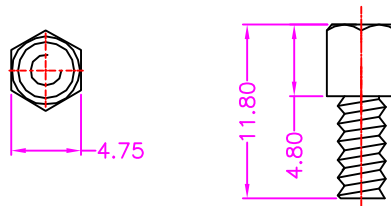


P.C.B LAYOUT
TOP VIEW ±0.05



RECOMMENDED SCREW

MATERIALS

HOUSING: HI-TEMP. PLASTIC (UL 94V-0), BLACK
 SHELL: SPCC, NICKEL PLATING
 BOARDLOCK: COPPER ALLOY, TIN PLATING
 SCREW: SPCC, NICKEL PLATING
 TERMINAL: COPPER ALLOY, GOLD PLATED ON CONTACT AREA
 TIN PLATING ON SOLDER TAIL

SPECIFICATION

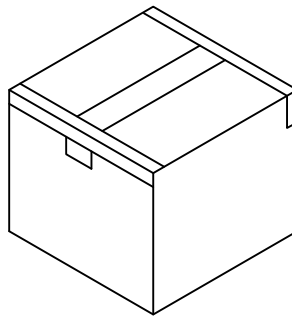
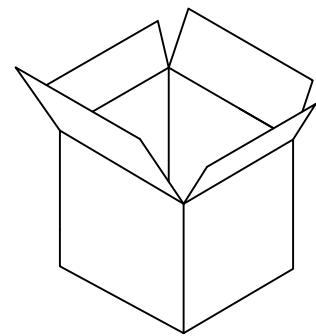
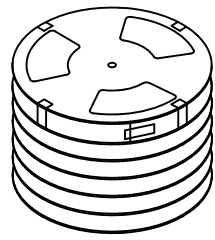
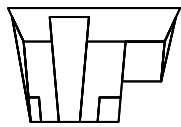
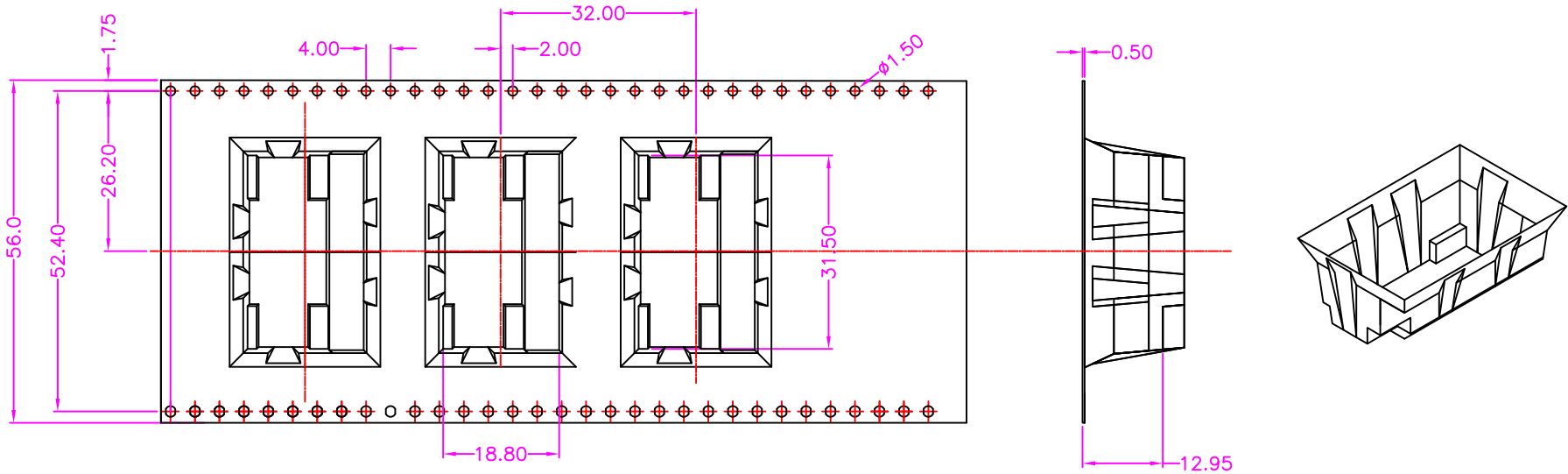
CURRENT RATING: 5 AMP MAX
 DIELECTRIC WITHSTANDING: 1000V AC FOR ONE MINUTE
 CONTACT RESISTANCE: 30m OHMS MAX
 INSULATION RESISTANCE: 1000M OHMS MIN AT DC 500V
 OPERATION TEMPERATURE: -55°C~+105°C

PART NUMBER:

BDBDC - 0 9 * T * - 1 2 2

SERIES
 NO OF POS. REF. TABLE
 CONTACT PLATED OPTION
 1: GOLD FLASH
 3: 3u" GOLD
 5: 5u" GOLD
 6: 10u" GOLD
 7: 15u" GOLD
 9: 30u" GOLD

TAPE REEL PACKAGE
 RIVETED & SCREW OPTION
 1: RIVETED & SCREW LOCK
 2: RIVETED & W/O SCREW
 3: RIVETED & ADD SCREW
 TIN PLATING ON SOLDER TAIL



NOTE: 180PCS/ REEL, 1080PCS/ 6 REEL/ CARTON

Z **ZICONN**
ELECTRONIC CO., LTD.
WWW.ZICONN.COM 886-3-4687695

TOLERANCES
X. ± 0.40 .XX ± 0.20
.X ± 0.30 .XXX ± 0.10

REV. A

DRAWN BY Zhong 2018/8/13
APPROVED BY Lion 2018/8/13

TITLE
DRAW NO.

D-SUB, PCB MOUNT, R/A, METAL SHIELD, FOOTPRINT 8.08mm WITH BOARDLOCK, 9PIN, FEMALE
BDBDC-002 UNIT MM Sheet 2/2