

MATERIALS

HOUSING: HI-TEMP. PLASTIC (UL 94V-0), BLACK
 SHELL: COPPER ALLOY, NICKEL PLATING
 TERMINAL: COPPER ALLOY, GOLD PLATING

SPECIFICATION

CURRENT RATING: 1.8 AMP MAX (ONLY PIN 1, 5), OTHER 1 AMP MAX
 DIELECTRIC WITHSTANDING: 100V AC FOR ONE MINUTE
 CONTACT RESISTANCE: 30m OHMS MAX
 INSULATION RESISTANCE: 100M OHMS MIN AT DC 500V
 OPERATION TEMPERATURE: -40°C~+105°C

PART NUMBER:

BUSTA - 0 5 * - 1 2 G

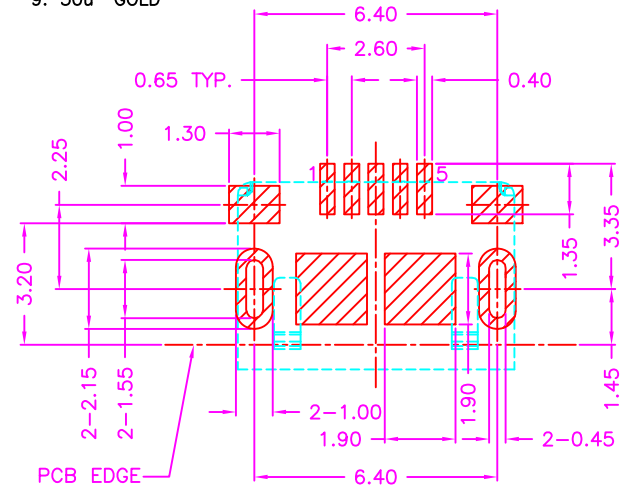
SERIES

NO. OF POS.

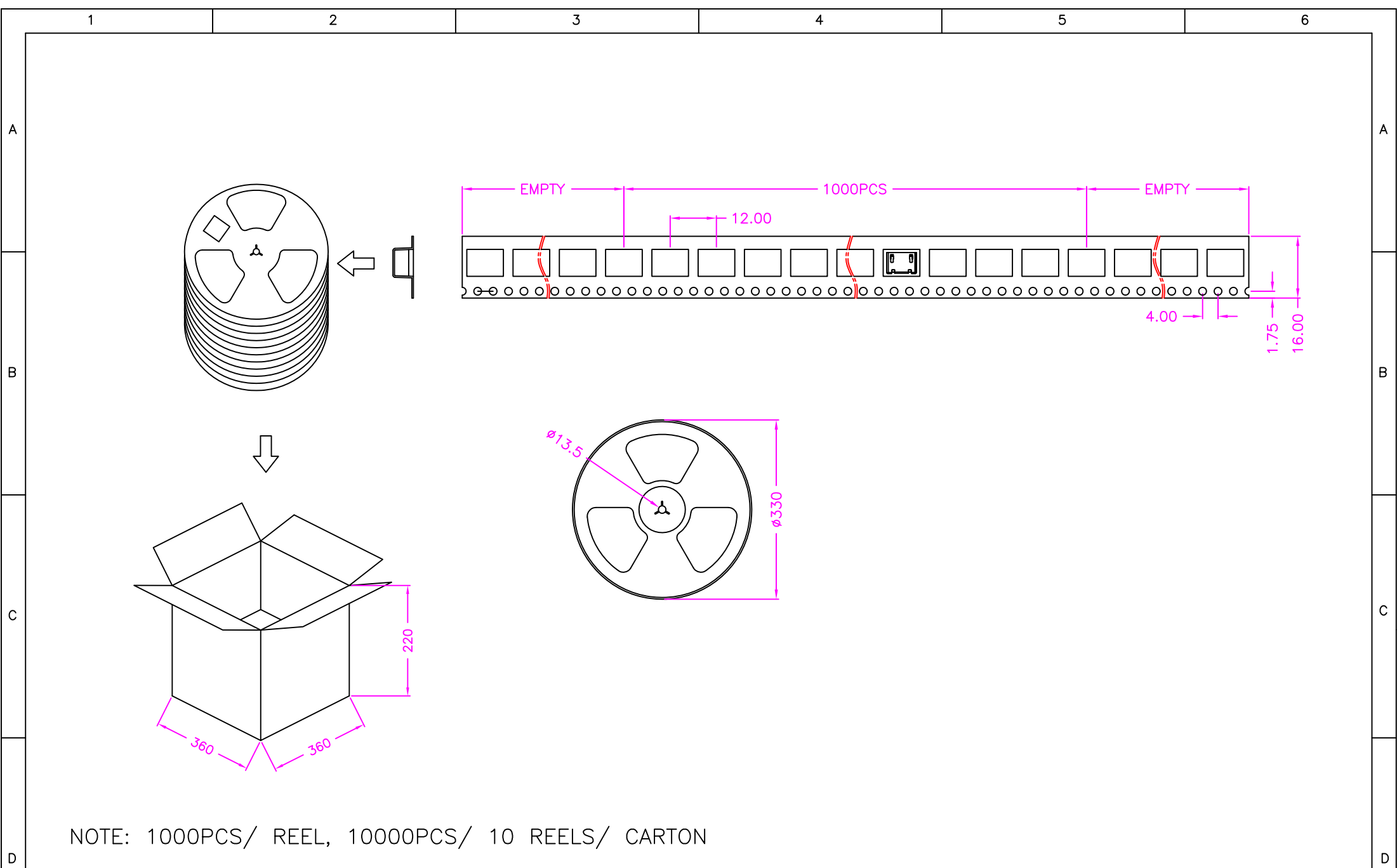
CONTACT PLATED OPTION

TAPE REEL PACKAGE

- 1: 1u" GOLD
- 3: 3u" GOLD
- 5: 5u" GOLD
- 7: 15u" GOLD
- 9: 30u" GOLD



P.C.B. LAYOUT
 TOP VIEW ±0.05



NOTE: 1000PCS/ REEL, 10000PCS/ 10 REELS/ CARTON



TOLERANCES
X.±0.40 .XX±0.20
.X±0.30 .XXX±0.10

REV.	A	DRAWN BY	Frank 2021/8/16
		APPROVED BY	Lion 2021/8/16

TITLE	MICRO USB B TYPE, PCB MOUNT, SMT, METAL SHIELD, FEMALE				
DRAW NO.	BUSTA-016	UNIT	MM	Sheet	2/2