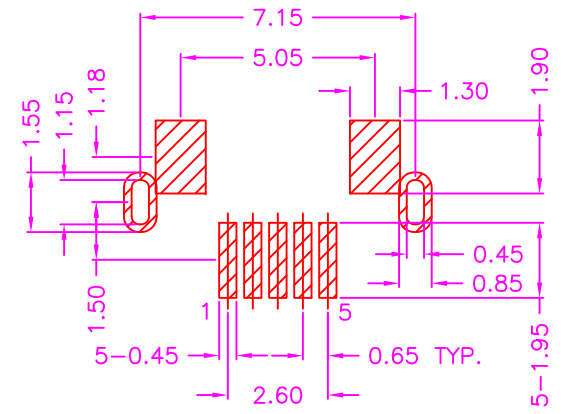
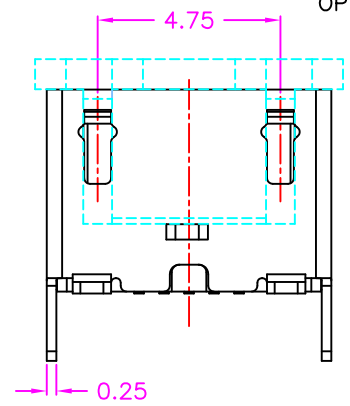
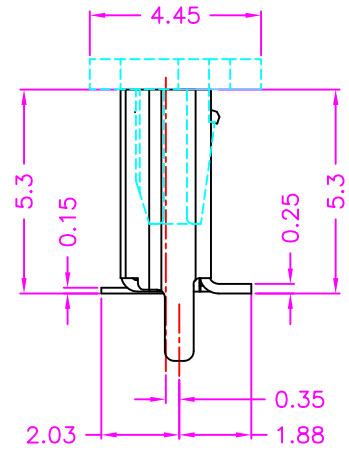
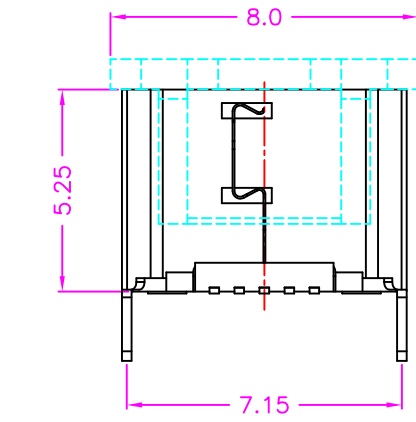


**MATERIALS**

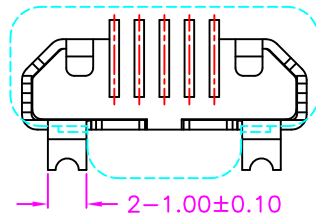
HOUSING: HI-TEMP. PLASTIC (UL 94V-0), BLACK  
 CAP: HI-TEMP. PLASTIC (UL 94V-0), BLACK  
 SHELL: STAINLESS STEEL, TIN PLATING  
 TERMINAL: COPPER ALLOY, GOLD PLATED

**SPECIFICATION**

CURRENT RATING: 1.8 AMP MAX (ONLY PIN 1, 5), OTHER 1 AMP MAX  
 DIELECTRIC WITHSTANDING: 250V AC FOR ONE MINUTE  
 CONTACT RESISTANCE: 50m OHMS MAX  
 INSULATION RESISTANCE: 100M OHMS MIN AT DC 500V  
 OPERATION TEMPERATURE: -40°C~+85°C



**P.C.B LAYOUT  
TOP VIEW ±0.05**



**PART NUMBER:**  
 BUSTJ - 0 5 \* - 1 2 3

SERIES — NO. OF POS. — CONTACT PLATED OPTION — TAPE REEL PACKAGE

- CONTACT PLATED OPTION
- 1: GOLD FLASH
  - 3: 3u" GOLD
  - 5: 5u" GOLD
  - 6: 10u" GOLD
  - 7: 15u" GOLD
  - 9: 30u" GOLD

CONTACT NUMBER	SIGNAL NAME
PIN 1	VCC
PIN 2	D-
PIN 3	D+
PIN 4	ID
PIN 5	GND



**TOLERANCES**

X.±0.40	.XX±0.20
.X±0.30	.XXX±0.10

REV.	A	DRAWN BY	Zhong 2021/4/14	TITLE	MICRO USB B TYPE, PCB MOUNT, VERTICAL SMT, METAL SHIELD, FEMALE				
		APPROVED BY	Lion 2021/4/14	DRAW NO.	BUSTJ-003	UNIT	MM	Sheet	1/1