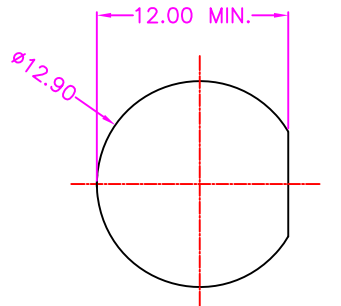


MATERIALS

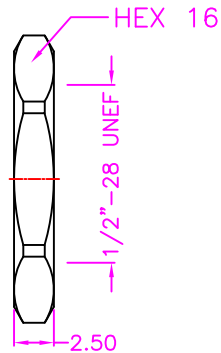
HOUSING: TEFLON (UL 94V-0), WHITE
 SHELL: COPPER ALLOY, NICKEL PLATING
 CONTACT TERMINAL: COPPER ALLOY, GOLD PLATED
 BULLET PIN: COPPER ALLOY, GOLD PLATING
 FERRULE: COPPER ALLOY, NICKEL PLATING
 WASHER: STEEL, NICKEL PLATING
 HEX NUT: COPPER ALLOY, NICKEL PLATING
 O-RING: SILICON, BLACK

SPECIFICATION

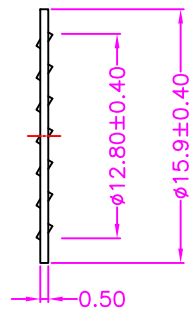
FREQUENCY RANGE: DC ~ 6 GHz
 VSWR: 1.5 MAX
 OPERATION TEMPERATURE: -45°C~+85°C



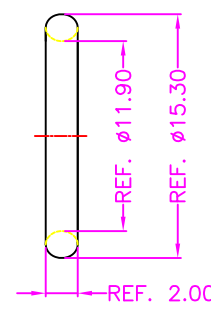
REFERENCE MOUNTING HOLES



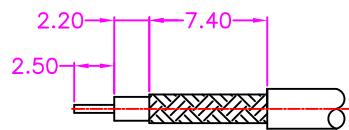
NUT



WASHER



O-RING



REFERENCE STRIP LENGTHS

TABLE

P/N	CABLE	A	B
A	RG316/RG174/RG188	φ3.9	φ3.2
B	RD316	φ4.5	φ3.6

PART NUMBER:
 RTNAC - 5 * 2 - 1 * 1 * *

SERIES: RTNAC
 50 OHM: 5
 CONTACT PLATED OPTION: 2
 DIM. "A" & "B" OPTION: 1
 PACKAGE OPTION: 1
 SALT SPRAY TEST OPTION: *
 BLANK: 24HR
 9: 96HR

1: GOLD FLASH
 3: 3u" GOLD
 5: 5u" GOLD
 6: 10u" GOLD
 7: 15u" GOLD
 9: 30u" GOLD