

P.C.B. LAYOUT
TOP VIEW ±0.05

MATERIALS

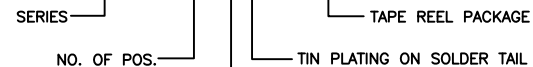
HOUSING: HI-TEMP. PLASTIC (UL 94V-0), BLACK
 CAP: HI-TEMP. PLASTIC (UL 94V-0), BLACK
 SHELL: STAINLESS STEEL, NICKEL PLATING
 TERMINAL: COPPER ALLOY, GOLD PLATING ON CONTACT AREA
 TIN PLATING ON SOLDER TAIL

SPECIFICATION

CURRENT RATING: 0.5 AMP MAX
 DIELECTRIC WITHSTANDING: 500V AC FOR ONE MINUTE
 CONTACT RESISTANCE: 30m OHMS MAX
 INSULATION RESISTANCE: 100M OHMS MIN AT DC 100V
 OPERATION TEMPERATURE: -40°C~+85°C

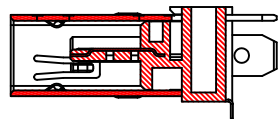
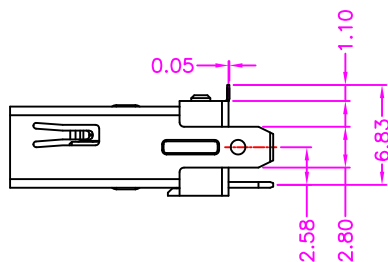
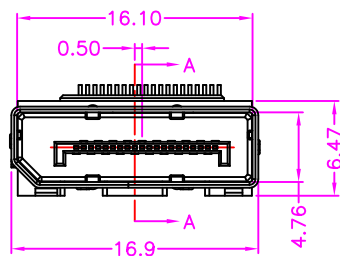
PART NUMBER:

BDPEA - 2 0 * T - 1 2 2

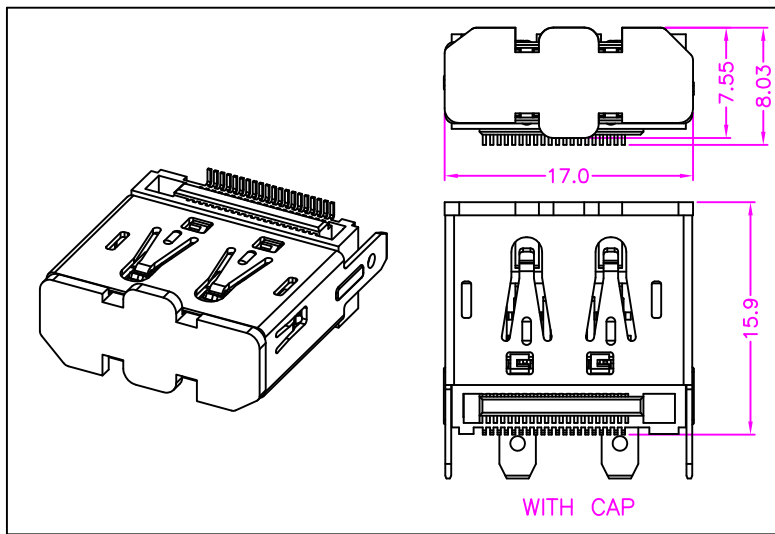
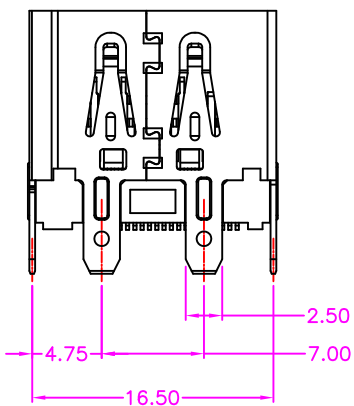


CONTACT PLATED OPTION

- 1: GOLD FLASH
- 3: 3u" GOLD
- 5: 5u" GOLD
- 6: 10u" GOLD
- 7: 15u" GOLD
- 9: 30u" GOLD



SECTION A-A



CONNECTOR PIN ASSIGNMENT

DisplayPort PIN Number	Signal Name
A1	LANE_OP
A2	GND1
A3	LANE_ON
A4	LANE_1P
A5	GND2
A6	LANE_1N
A7	LANE_2P
A8	GND3
A9	LANE_2N
A10	LANE_3P
A11	GND4
A12	LANE_3N
A13	CONFIG1
A14	CONFIG2
A15	AUX_P
A16	GND5
A17	AUX_N
A18	HPD
A19	Return DP PWR
A20	DP_PWR