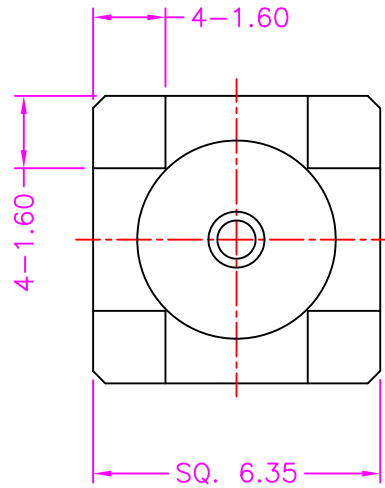
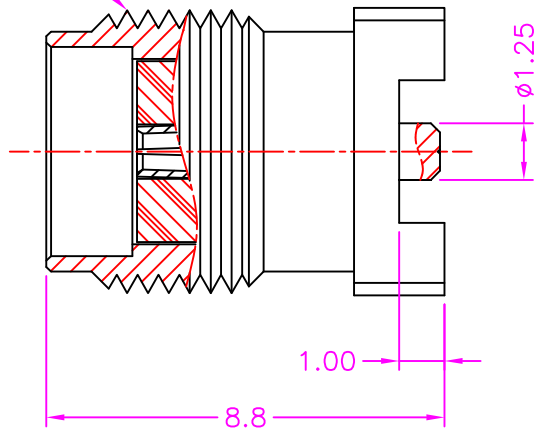


1/4"-36UNS

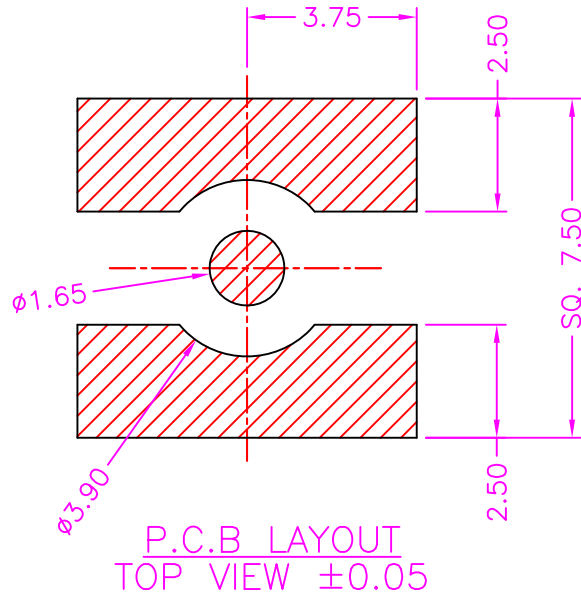


### MATERIALS

HOUSING: TEFLON (UL 94V-0), WHITE  
 SHELL: COPPER ALLOY, GOLD PLATING  
 TERMINAL: COPPER ALLOY, GOLD PLATED

### SPECIFICATION

FREQUENCY RANGE: 0-18 GHz  
 VSWR: 1.30 MAX.  
 OPERATION TEMPERATURE: -40°C~+105°C



### PART NUMBER:

RSACG - 5 \* 1 - 1 \* 2

SERIES

50 OHM

PACKAGE OPTION

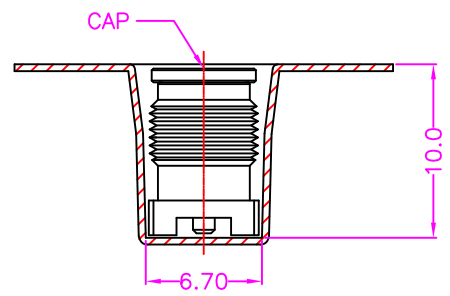
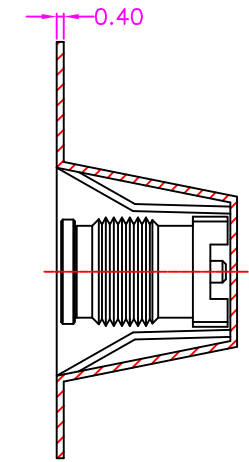
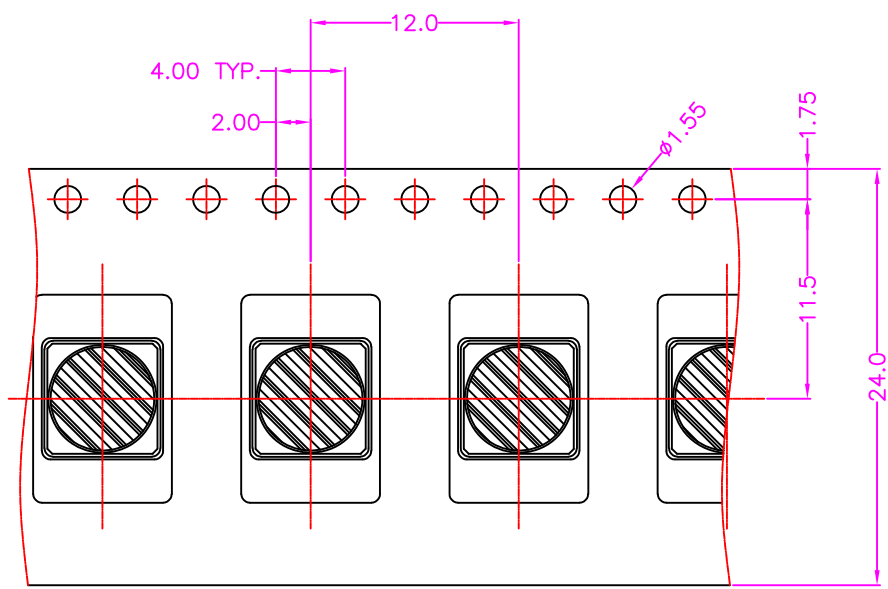
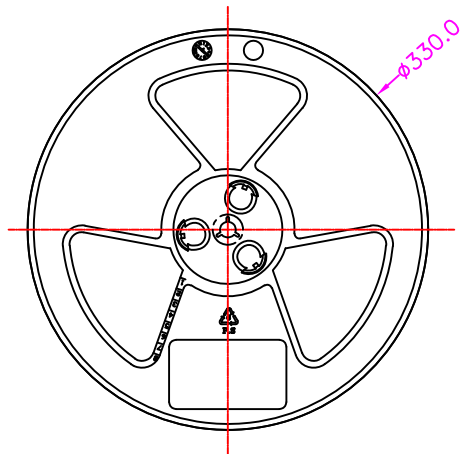
1: TRAY

2: TAPE REEL (WITH CAP)

### CONTACT PLATED OPTION

- 1: GOLD FLASH
- 3: 3u" GOLD
- 5: 5u" GOLD
- 6: 10u" GOLD
- 7: 15u" GOLD
- 9: 30u" GOLD

28.9  
24.5



NOTE: 550PCS/ REEL



TOLERANCES  
X.±0.40 .XX±0.20  
.X±0.30 .XXX±0.10

REV.	A	DRAWN BY	Zhong 2021/12/29
		APPROVED BY	Lion 2021/12/29

TITLE	SMA, PCB MOUNT, VERTICAL SMT, WITH POST & BULKHEAD, FEMALE				
DRAW NO.	RSACG-002	UNIT	MM	Sheet	2/2