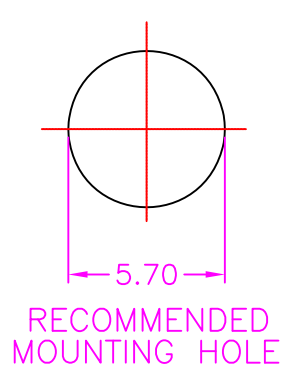
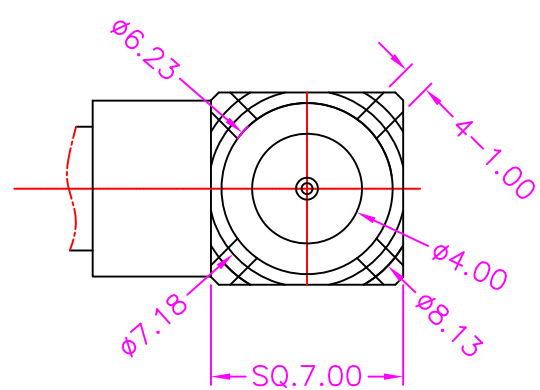


MATERIALS

HOUSING: COPPER ALLOY, 1u" GOLD PLATED OVER
200u" NICKEL PLATING ON HOUSING
INSULATOR: TEFLON (UL 94V-0), WHITE
CENTER CONTACT: COPPER ALLOY, 1u" GOLD PLATED OVER
50u" NICKEL PLATING ON CONTACT AREA



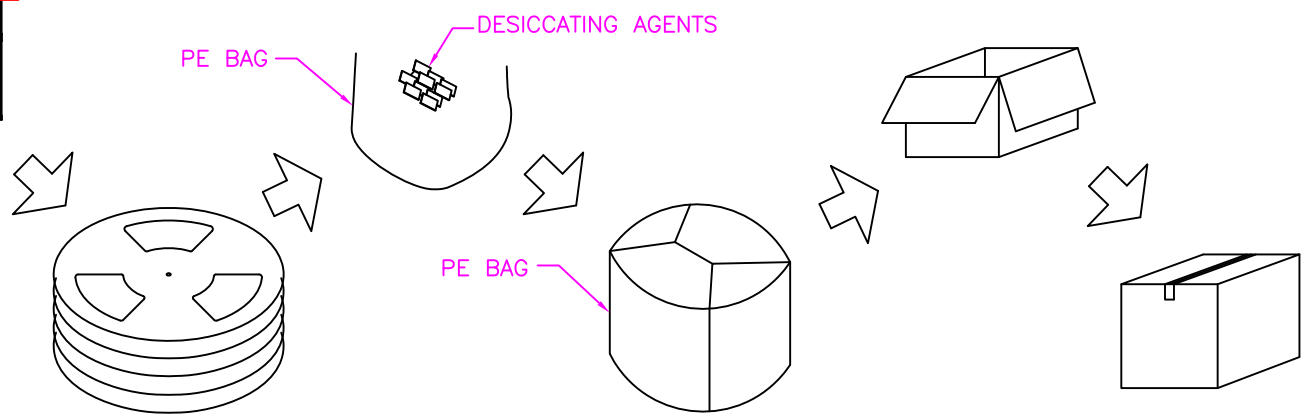
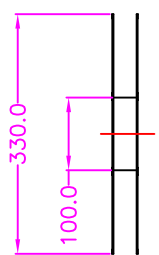
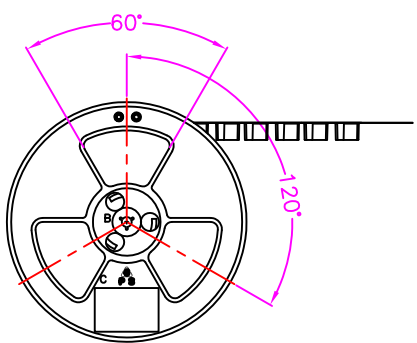
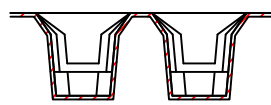
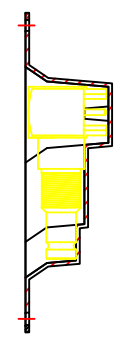
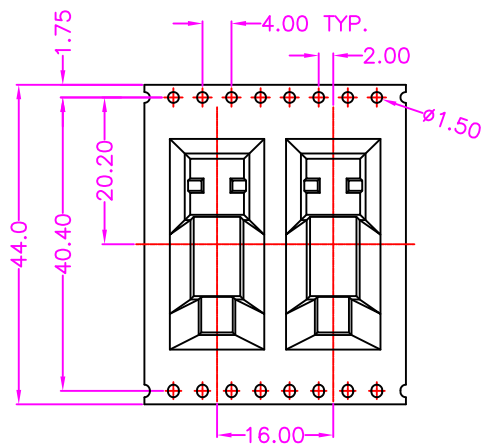
PART NUMBER:
R13BE - 7 1 1 - 1 * 2

SERIES — 75 OHM — GOLD FLASH PLATING ON TERMINAL

PACKAGE OPTION
1: TRAY
2: TAPE REEL
4: BAG

B	MODIFY POST DIM.	2021.1.27
A	RELEASE	2020.8.17
REV.	DESCRIPTION	DATE

 WWW.ZICONN.COM 886-3-4687695	TOLERANCES	REV.	B	DRAWN BY	Zhong 2020/8/17	TITLE	DIN 1.0/2.3, 75 OHM, PCB MOUNT, R/A, WITH POST, FEMALE			
	X.±0.40 .XX±0.20 .X±0.30 .XXX±0.10			APPROVED BY	Lion 2020/8/17	DRAW NO.	R13BE-002	UNIT	MM	Sheet



PACKAGE QUANTITY:
300PCS/ REEL, 1800PCS/ 6 REEL/ CARTON

PACKAGING WORKFLOW:
WHEN PACKING, USE A WATERPROOF BAG
AS WELL AS DRY BAG AND SEAL IT WITH A SEALER



TOLERANCES	
X.±0.40	.XX±0.20
.X±0.30	.XXX±0.10

REV.	B	DRAWN BY	Zhong 2020/8/17	TITLE	DIN 1.0/2.3, 75 OHM, PCB MOUNT, R/A, WITH POST, FEMALE				
		APPROVED BY	Lion 2020/8/17	DRAW NO.	R13BE-002	UNIT	MM	Sheet	2/2