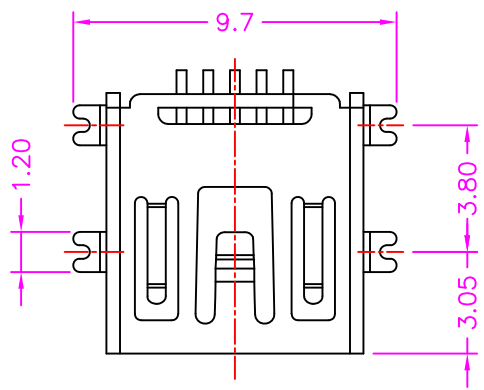
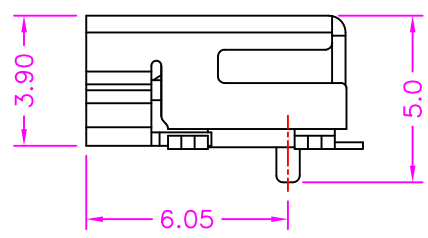
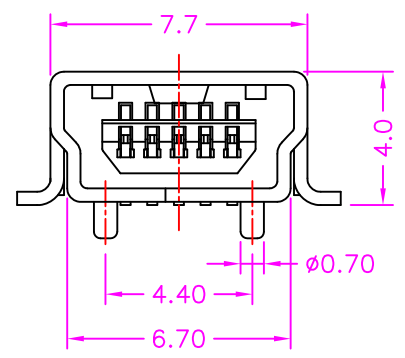


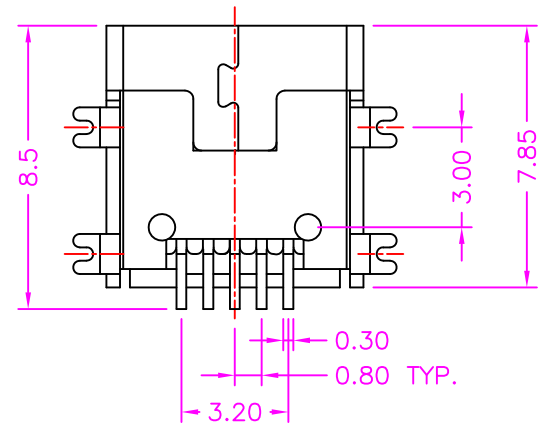
A



B



C



MATERIALS

HOUSING: HI-TEMP. PLASTIC (UL 94V-0), BLACK
 SHELL: COPPER ALLOY, NICKEL PLATING
 TERMINAL: COPPER ALLOY, GOLD PLATING ON CONTACT AREA
 TIN PLATING ON SOLDER TAIL

SPECIFICATION

CURRENT RATING: 1 AMP MAX
 DIELECTRIC WITHSTANDING: 100V AC FOR ONE MINUTE
 CONTACT RESISTANCE: 50m OHMS MAX
 INSULATION RESISTANCE: 100M OHMS MIN AT DC 100V
 OPERATION TEMPERATURE: -40°C~+85°C

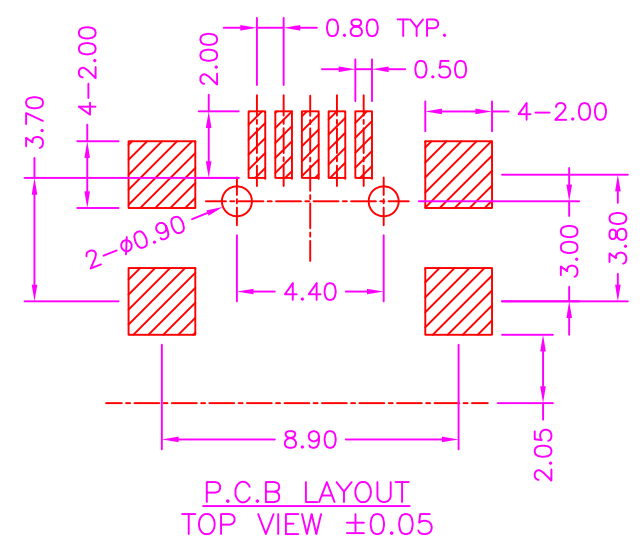
PART NUMBER:

BUSMB - 0 5 * T - 1 * 5

SERIES — NO. OF POS. — PACKAGE OPTION
 2: TAPE REEL
 3: TUBE

CONTACT PLATED OPTION — TIN PLATING ON SOLDER TAIL

- 1: GOLD FLASH
- 3: 3u" GOLD
- 5: 5u" GOLD
- 6: 10u" GOLD
- 9: 30u" GOLD



D

ZICONN
 ELECTRONIC CO., LTD.
 WWW.ZICONN.COM 886-3-4687695

TOLERANCES	
X.±0.40	.XX±0.20
.X±0.30	.XXX±0.10

REV.	A	DRAWN BY	Kiki 2022/9/20	TITLE	MINI USB, B TYPE, PCB MOUNT, SMT, SHORT TYPE, METAL SHIELD, FEMALE				
		APPROVED BY	Lion 2022/9/20	DRAW NO.	BUSMB-005	UNIT	MM	Sheet	1/1