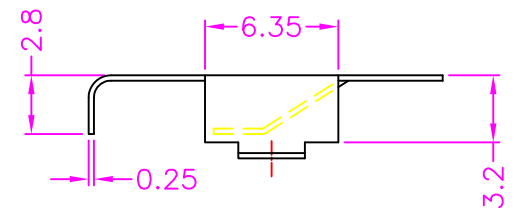
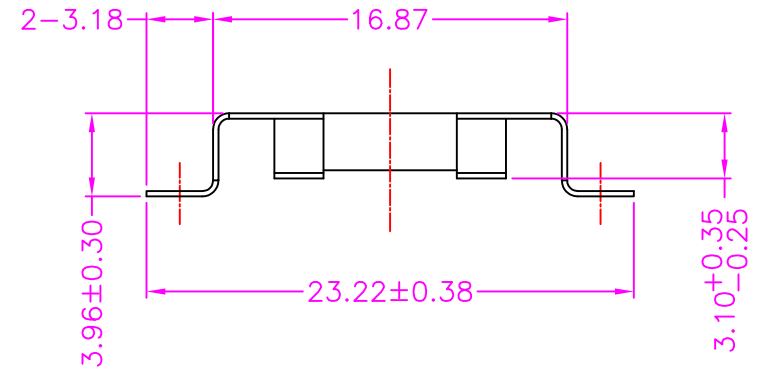


P.C.B LAYOUT
TOP VIEW ±0.05



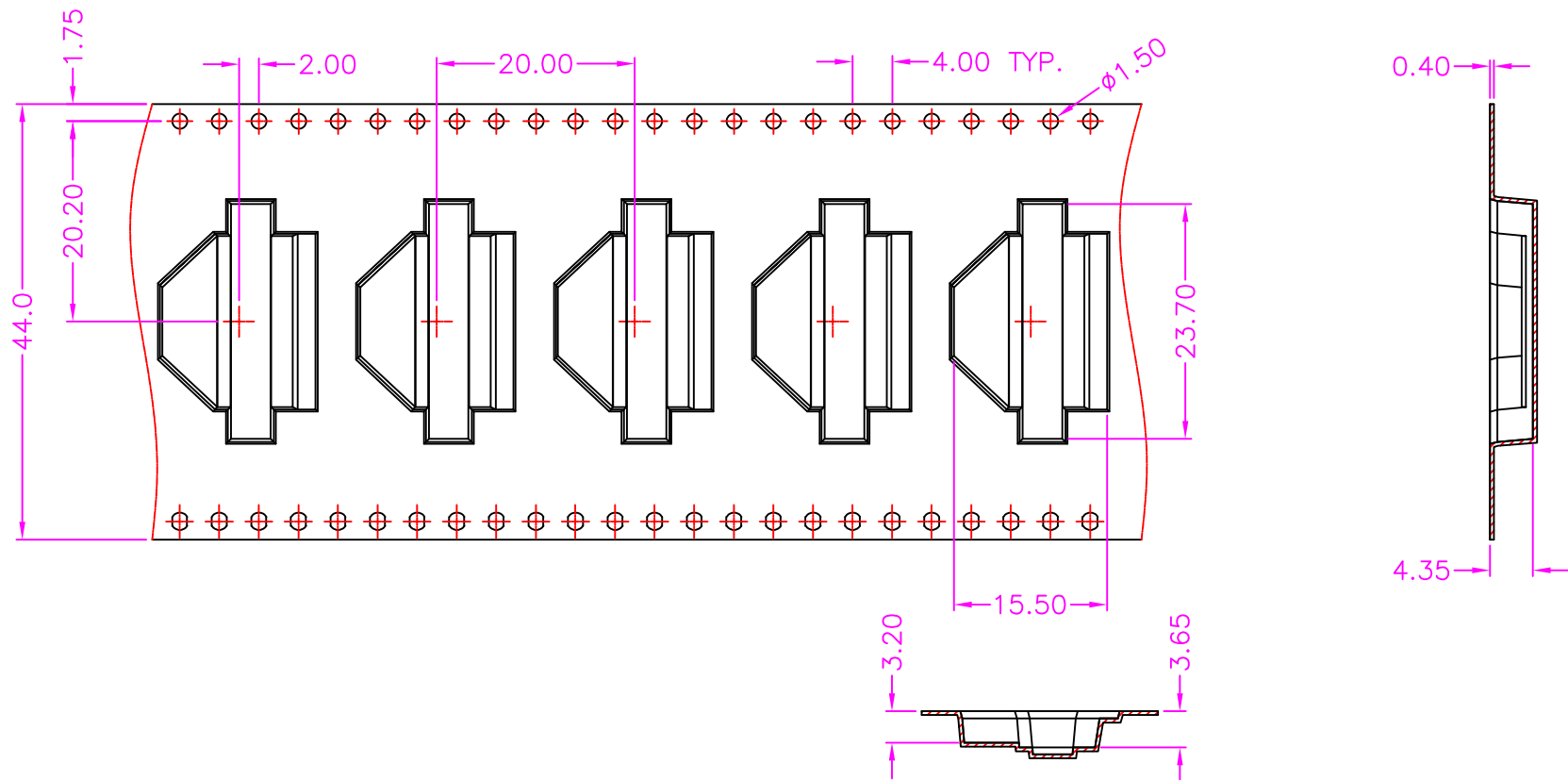
MATERIALS
SHELL: COPPER ALLOY, NICKEL PLATING

PART NUMBER:
ABRHB - N - 0 * 2

SERIES — PACKAGE OPTION
2: TAPE REEL
4: BAG

NICKEL PLATING ON SHELL

PULL OUT DIRECTION



NOTE: 700PCS/ REEL



TOLERANCES	
X.±0.40	.XX±0.20
.X±0.30	.XXX±0.10

REV.	A	DRAWN BY	Kiki 2022/4/19	TITLE	BATTERY HOLDER, SMT, FULL METAL SHIELD, CR1632				
		APPROVED BY	Lion 2022/4/19	DRAW NO.	ABRHB-002	UNIT	MM	Sheet	2/2