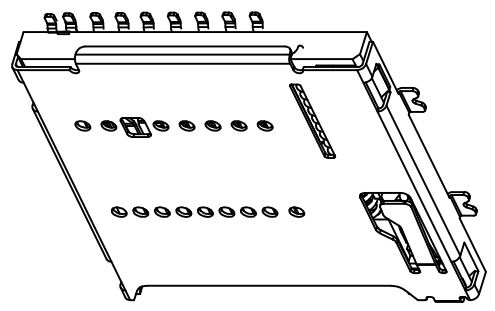


MATERIALS

HOUSING: LCP (UL 94V-0), BLACK
 SHELL: STAINLESS STEEL, NICKEL PLATING
 SOLDER PAD: STAINLESS STEEL, GOLD PLATING
 TERMINAL: COPPER ALLOY, GOLD PLATED

SPECIFICATION

CURRENT RATING: 0.5 AMP MAX
 DIELECTRIC WITHSTANDING: 500V AC FOR ONE MINUTE
 CONTACT RESISTANCE: 100m OHMS MAX
 INSULATION RESISTANCE: 1000M OHMS MIN AT DC 500V
 OPERATION TEMPERATURE: -40°C~+85°C



PART NUMBER:

MMCUD - 1 8 * T - 1 2 2

SERIES — NO. OF POS. — CONTACT PLATED OPTION — TIN PLATING ON SOLDER TAIL — TAPE REEL PACKAGE

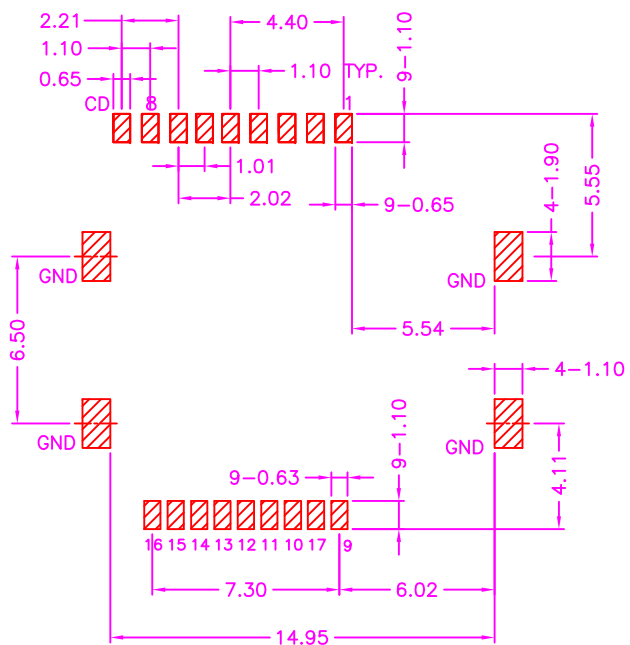
- 1: GOLD FLASH
- 3: 3u" GOLD
- 5: 5u" GOLD
- 6: 10u" GOLD
- 7: 15u" GOLD
- 9: 30u" GOLD



TOLERANCES	
X±0.40	.XX±0.20
.X±0.30	.XXX±0.10

REV.	A	DRAWN BY	Kiki 2022/10/11	TITLE	MICRO SD CARD 4.0, 18PIN, PCB MOUNT, SMT, METAL SHIELD, PUSH PUSH TYPE FEMALE, H=1.50mm
		APPROVED BY	Lion 2022/10/11	DRAW NO.	MMCUD-002
		UNIT	MM	Sheet	1/2

DRAW NO.	MMCUD-002	UNIT	MM	Sheet	1/2
----------	-----------	------	----	-------	-----



P.C.B. LAYOUT
TOP VIEW ±0.05

PIN DEFINE

PIN NO.	MICRO SD WITH UHS-II AND SWIO SUPPORT	
	Name	Description
P1	DAT2	Data Line[Bit 2]
P2	CD/DAT3	Card Detect/Data Line[Bit 3]
P3	CMD	Command/Response
P4	V _{DD1}	Supply voltage(3.3V)
P5	CLK	Clock
P6	V _{SS}	Supply voltage ground
P7	DAT0/RCLK+	Data Line[Bit 0]/RCLK+
P8	DAT1/RCLK-	Data Line[Bit 1]/RCLK-
CD	CD	CARD DETECT
P9	V _{DD2}	Supply voltage(1.8V)
P10	V _{SS}	Supply voltage ground
P11	D0+	UHS-II D0+
P12	D0-	UHS-II D0-
P13	V _{SS}	Supply voltage ground
P14	D1-	UHS-II D1-
P15	D1+	UHS-II D1+
P16	V _{SS}	Supply voltage ground
P17	SWIO	Single Wire Protocol Interface