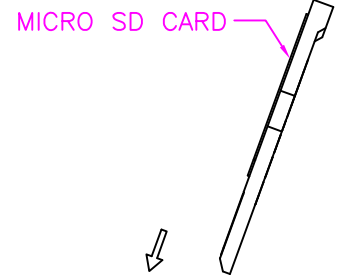
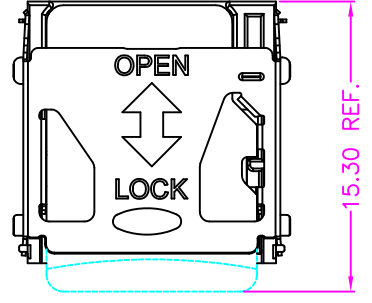
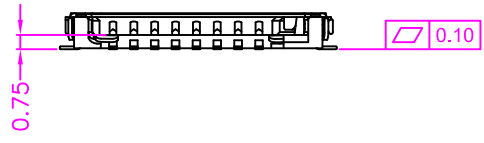
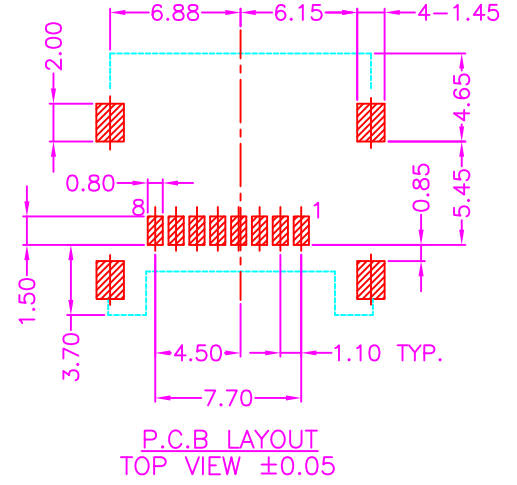
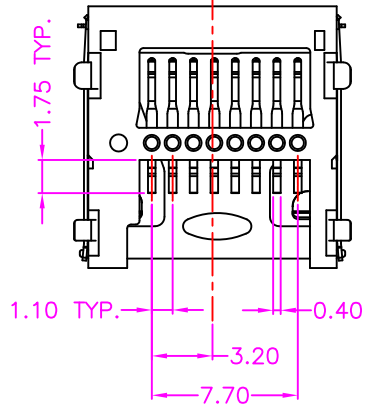
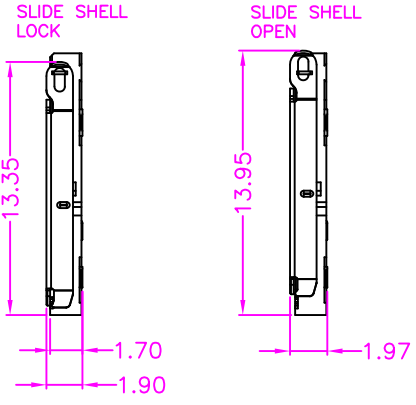
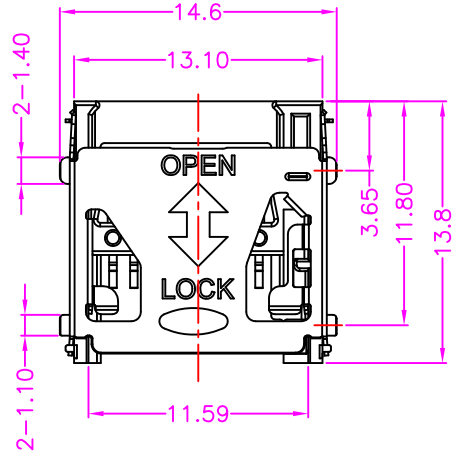


1 2 3 4 5 6

A



**MATERIALS**

HOUSING: LCP (UL 94V-0), BLACK  
 SHELL: STAINLESS STEEL  
 SOLDER PAD: COPPER ALLOY, GOLD PLATING  
 TERMINAL: COPPER ALLOY, GOLD PLATED

**SPECIFICATION**

CURRENT RATING: 0.5 AMP MAX  
 DIELECTRIC WITHSTANDING: 500V AC FOR ONE MINUTE  
 CONTACT RESISTANCE: 80m OHMS MAX  
 INSULATION RESISTANCE: 1000M OHMS MIN AT DC 500V  
 OPERATION TEMPERATURE: -40°C~+85°C

**PART NUMBER:**

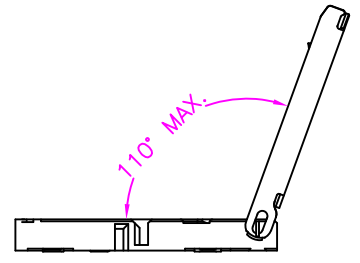
MMCKF - 0 8 \* - 1 2 4

SERIES ———— TAPE REEL PACKAGE

NO. OF POS. ————

**CONTACT PLATED OPTION**

- 1: GOLD FLASH
- 3: 3u" GOLD
- 5: 5u" GOLD
- 6: 10u" GOLD
- 7: 15u" GOLD
- 9: 30u" GOLD



PIN NO.	NAME
01	DAT2
02	CD/DAT3
03	CMD
04	VDD
05	CLK
06	VSS
07	DATO
08	DAT1

WWW.ZICONN.COM 886-3-4687695

**TOLERANCES**

X.±0.40	.XX±0.20
.X±0.30	.XXX±0.10

REV.	A	DRAWN BY	Kiki 2022/8/8	TITLE	MICRO SD (T-FLASH), PCB MOUNT, SMT, METAL SHIELD, HINGE TYPE H=2.00mm, FEMALE				
		APPROVED BY	Lion 2022/8/8	DRAW NO.	MMCKF-004	UNIT	MM	Sheet	1/2

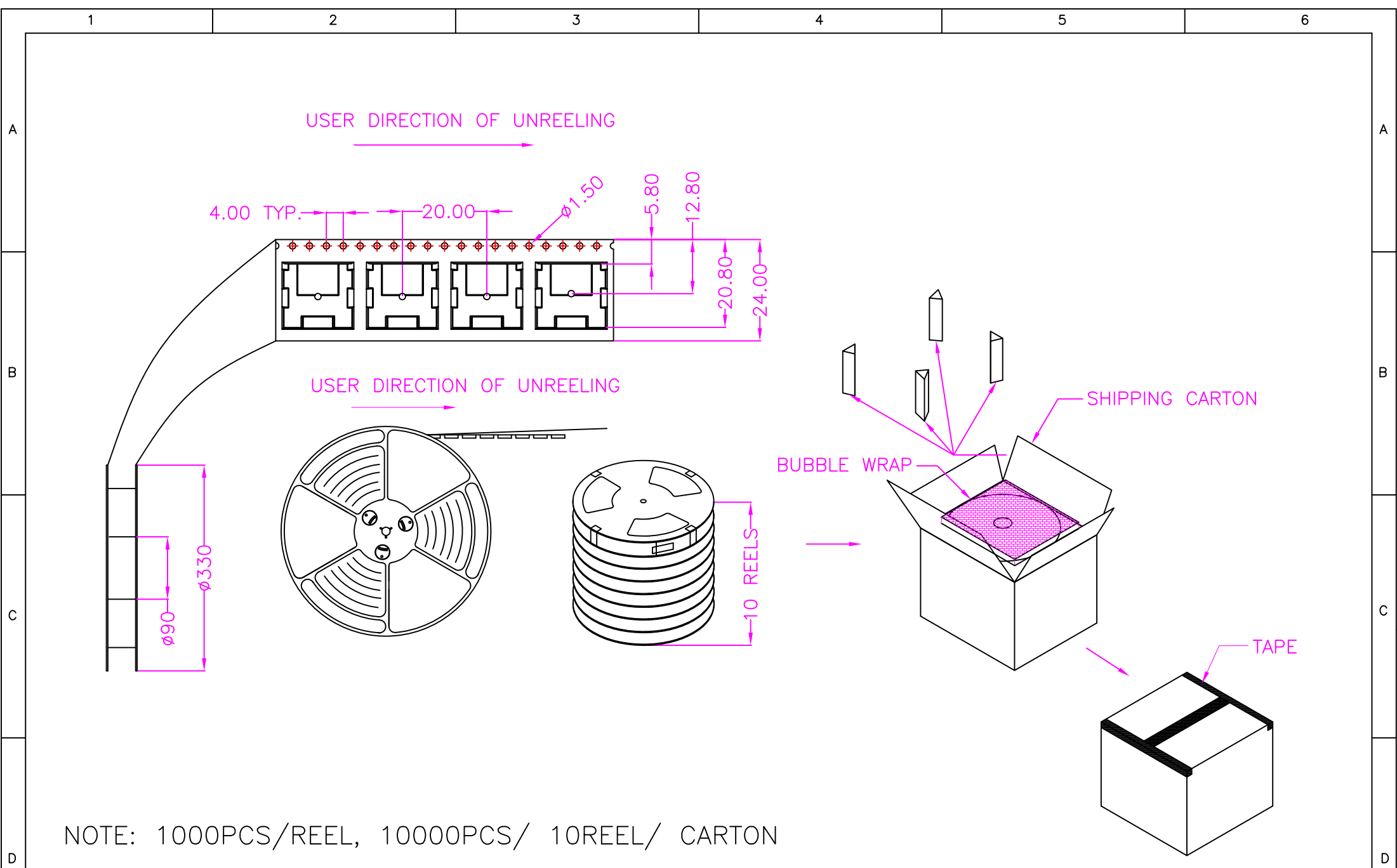
1 2 3 4 5 6

A

B

C

D



NOTE: 1000PCS/REEL, 10000PCS/ 10REEL/ CARTON

 <b>ZICONN</b> ELECTRONIC CO., LTD. WWW.ZICONN.COM 886-3-4687695	<b>TOLERANCES</b> X. $\pm 0.40$ .XX $\pm 0.20$ .X $\pm 0.30$ .XXX $\pm 0.10$	REV.	A	DRAWN BY	Kiki 2022/8/8	TITLE	MICRO SD (T-FLASH), PCB MOUNT, SMT, METAL SHIELD, HINGE TYPE H=2.00mm, FEMALE				
			APPROVED BY	Lion 2022/8/8	DRAW NO.	MMCKF-004	UNIT	MM	Sheet	2/2	