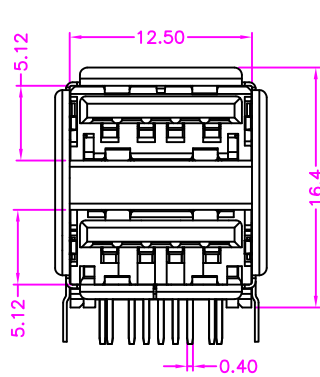
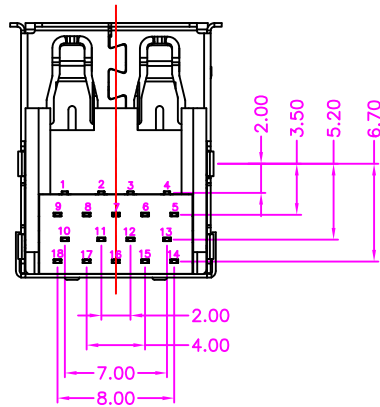


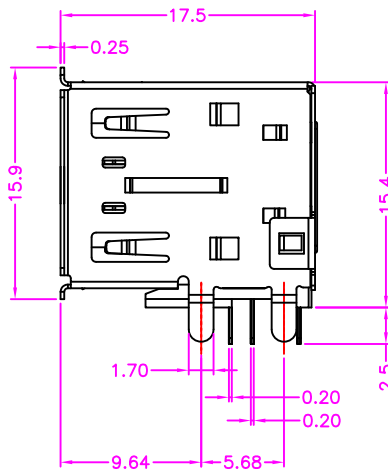
14.5



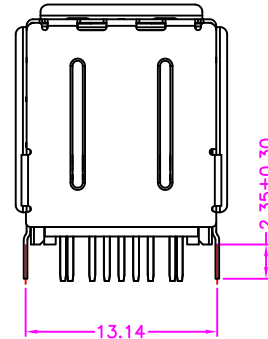
5.12 12.50 16.4 5.12 0.40



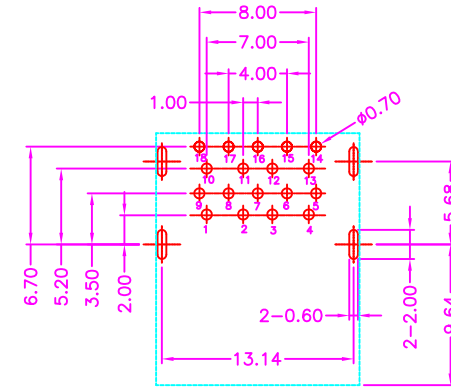
2.00 3.50 5.20 6.70 2.00 4.00 7.00 8.00



17.5 0.25 15.9 15.4 1.70 0.20 0.20 2.5 9.64 5.68



2.35±0.30 13.14



P.C.B. LAYOUT TOP VIEW ±0.05

MATERIALS

HOUSING: PA9T (UL 94V-0), BLUE
 SHELL: STAINLESS STEEL, NICKEL PLATING
 MIDDLE SHELL: STAINLESS STEEL, NICKEL PLATING
 TERMINAL: COPPER ALLOY, GOLD PLATED ON CONTACT AREA
 TIN PLATING ON SOLDER TAIL

SPECIFICATION

CURRENT RATING: 1.5 AMP MAX
 DIELECTRIC WITHSTANDING: 500V AC FOR ONE MINUTE
 CONTACT RESISTANCE: 30m OHMS MAX
 INSULATION RESISTANCE: 1000M OHMS MIN AT DC 500V
 OPERATION TEMPERATURE: -40°C~+85°C

PART NUMBER:

BUSGC - 1 8 * T - 1 1 6 B L

SERIES NO. OF POS. CONTACT PLATED OPTION TIN PLATING ON SOLDER TAIL TRAY PACKAGE

CONTACT PLATED OPTION

- 1: GOLD FLASH
- 3: 3u" GOLD
- 5: 5u" GOLD
- 6: 10u" GOLD
- 7: 15u" GOLD
- 9: 30u" GOLD

| PIN NUMBER | SIGNAL NAME |
|------------|-------------|
| 1,10 | VBUS |
| 2,11 | D- |
| 3,12 | D+ |
| 4,13 | GND |
| 5,14 | StdA_SSRX- |
| 6,15 | StdA_SSRX+ |
| 7,16 | GND_DRAIN |
| 8,17 | StdA_SSTX- |
| 9,18 | StdA_SSTX+ |
| Shell | Shield |

