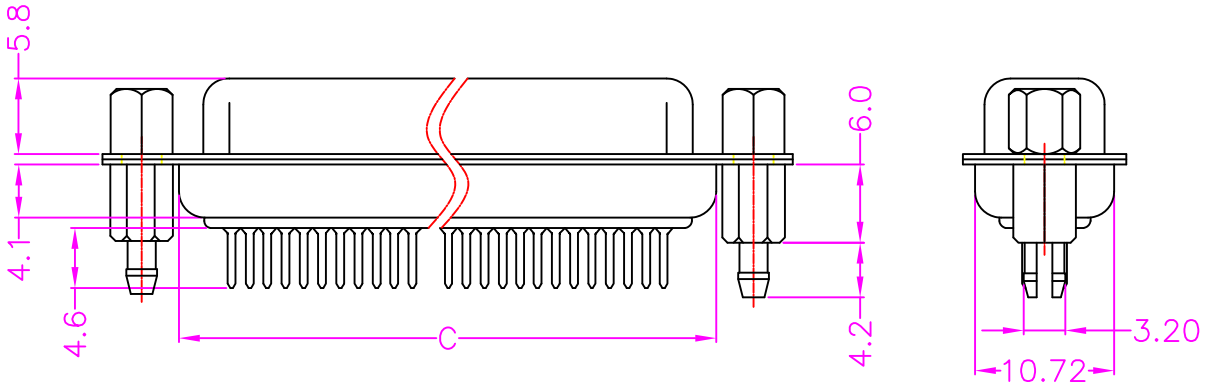
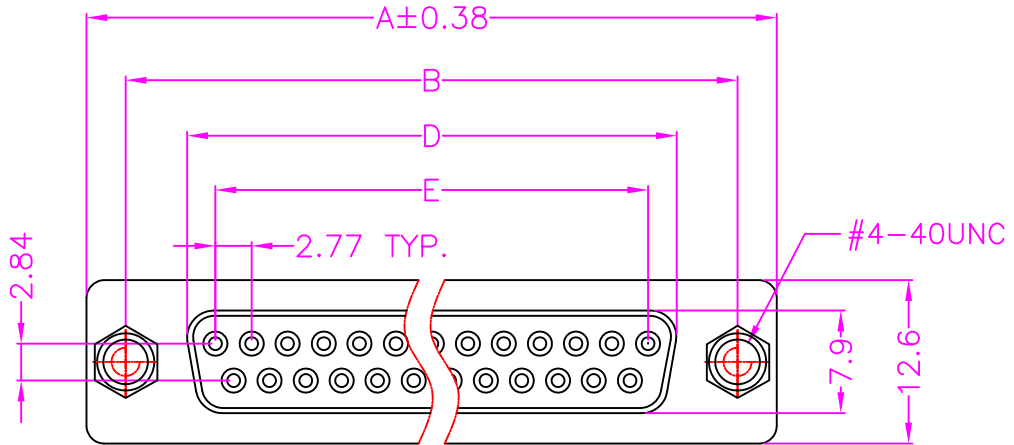


MATERIALS

HOUSING: PBT (UL 94V-0), BLACK
 SHELL: STEEL, TIN PLATING
 SCREW: STEEL, NICKEL PLATING
 BOARDLOCK: COPPER ALLOY, TIN PLATING
 TERMINAL: COPPER ALLOY, GOLD PLATED ON CONTACT AREA
 TIN PLATING ON SOLDER TAIL

SPECIFICATION

CURRENT RATING: 3 AMP MAX
 DIELECTRIC WITHSTANDING: 1000V AC FOR ONE MINUTE
 CONTACT RESISTANCE: 30m OHMS MAX
 INSULATION RESISTANCE: 1000M OHMS MIN AT DC 500V
 OPERATION TEMPERATURE: -55°C~+105°C



TABLE

POS.	A	B	C	D	E
09	30.81	24.99	19.20	16.33	11.08
15	39.20	33.30	27.70	24.70	19.39
25	53.05	47.04	41.10	38.40	33.24
37	69.40	63.50	57.30	54.80	49.86



#4-40UNC SCREWLOCK INSTALLED

PART NUMBER:
BDBBD - * * * T * - 1 1 1

SERIES

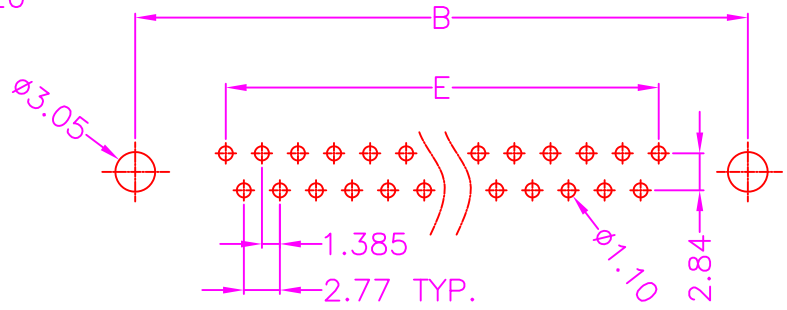
NO OF POS. REF. TABLE

CONTACT PLATED OPTION
 1: GOLD FLASH
 3: 3u" GOLD
 5: 5u" GOLD
 7: 15u" GOLD
 9: 30u" GOLD

TRAY PACKAGE

SCREW OPTION
 1: SCREW LOCK
 2: W/O SCREW
 3: ADD SCREW

TIN PLATING ON SOLDER TAIL



P.C.B. LAYOUT
 TOP VIEW ±0.05



TOLERANCES
 X.±0.40 .XX±0.20
 .X±0.30 .XXX±0.10

REV. A
 DRAWN BY Kiki 2022/9/20
 APPROVED BY Lion 2022/9/20

TITLE D-SUB, PCB MOUNT, VERTICAL, METAL SHIELD, STAMPED PIN WITH HEX BOARDLOCK, FEMALE
 DRAW NO. BDBBD-001 UNIT MM Sheet 1/1