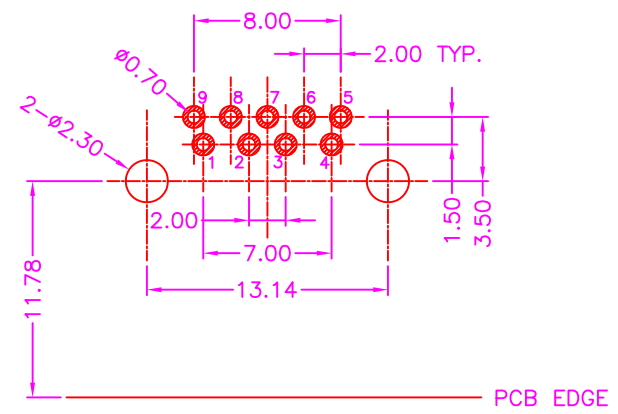
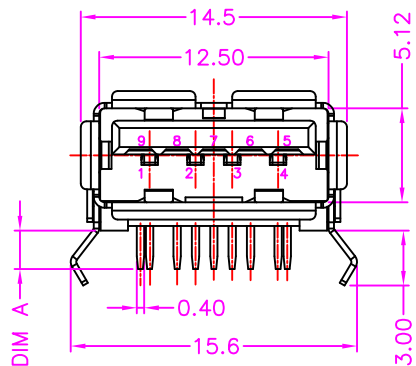
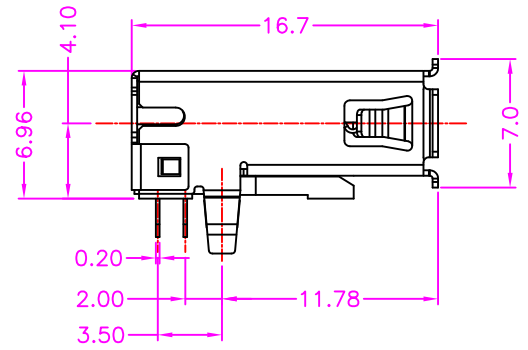
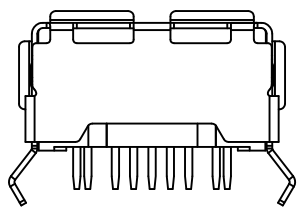


PART NUMBER:  
**BUSEC - 0 9 \* T - 1 1 3 \* \***

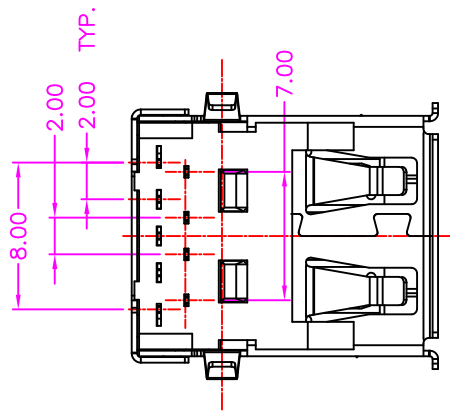
SERIES — NO. OF POS. — CONTACT PLATED OPTION — TRAY PACKAGE — TIN PLATING ON SOLDER TAIL — HOUSING COLOR OPTION  
 BLANK: BLACK  
 BL: BLUE  
 R: RED

DIM "A" OPTION  
 BLANK: 2.10mm  
 A: 2.50mm



P.C.B LAYOUT  
 TOP VIEW ±0.05

PIN NUMBER	SIGNAL NAME
1	VBUS
2	D-
3	D+
4	GND
5	StdA_SSRX-
6	StdA_SSRX+
7	GND_DRAIN
8	StdA_SSTX-
9	StdA_SSTX+
Shell	SHIELD



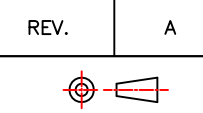
MATERIALS  
 HOUSING: LCP (UL 94V-0)  
 SHELL: COPPER ALLOY, NICKEL PLATING  
 TERMINAL: COPPER ALLOY, GOLD PLATED ON CONTACT AREA  
 TIN PLATING ON SOLDER TAIL

SPECIFICATION  
 CURRENT RATING:  
 1.8A FOR VBUS AND GND CONTACTS  
 0.25A FOR ALL THE OTHERS CONTACTS  
 DIELECTRIC WITHSTANDING: 100V AC FOR ONE MINUTE  
 CONTACT RESISTANCE:  
 30m OHMS MAX INITIAL FOR VBUS AND GND CONTACTS  
 50m OHMS MAX INITIAL FOR ALL OTHER CONTACTS  
 INSULATION RESISTANCE: 100M OHMS MIN AT DC 500V  
 OPERATION TEMPERATURE: -40°C~+85°C



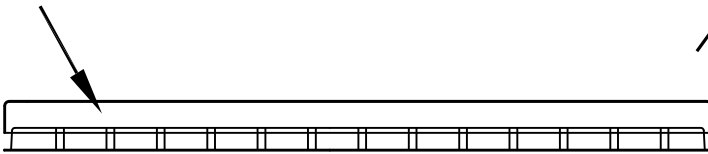
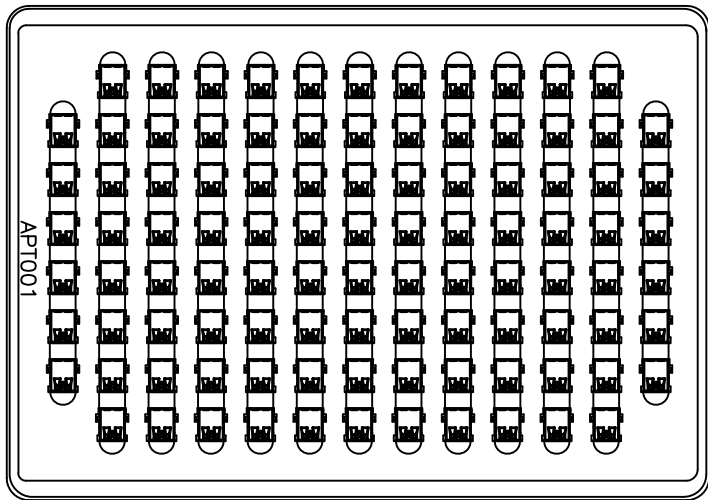
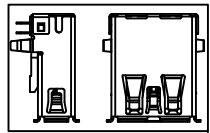
TOLERANCES

X.±0.40	.XX±0.20
.X±0.30	.XXX±0.10

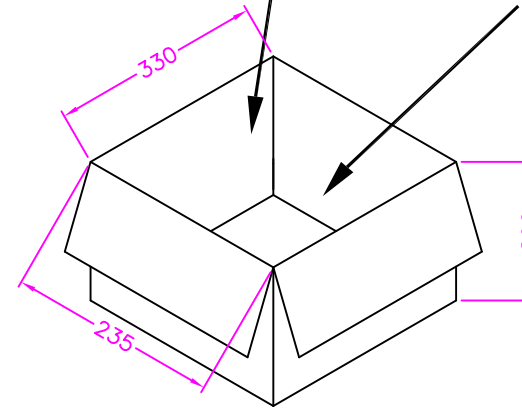
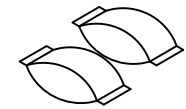
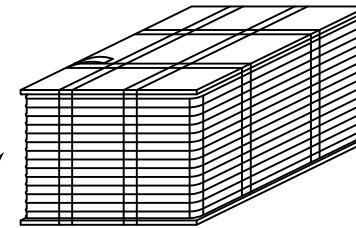


REV. A DRAWN BY Zhong 2021/2/3 TITLE APPROVED BY Lion 2021/2/3 DRAW NO.

USB 3.0 A TYPE, PCB MOUNT, R/A, METAL SHIELD, H=6.96mm, FEMALE  
 BUSEC-003 UNIT MM Sheet 1/2



TRAY



CARTON

NOTE: 100PCS/TRAY, 2300PCS/ 23 TRAY/ CARTON