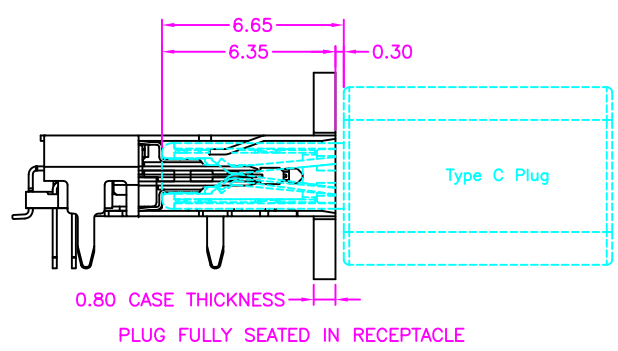
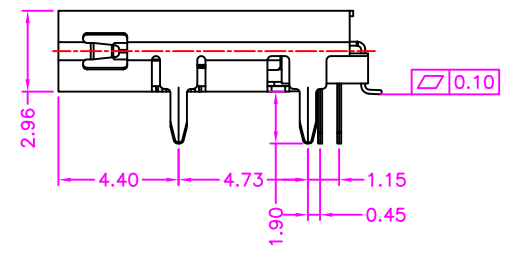
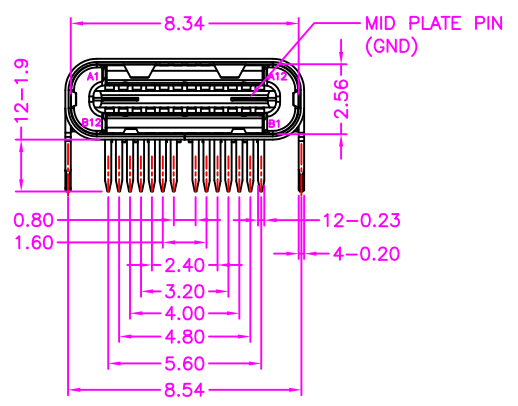


MATERIALS

HOUSING: HI-TEMP. PLASTIC (UL 94V-0)
 SHELL: STAINLESS STEEL
 TERMINAL: COPPER ALLOY, GOLD PLATED ON CONTACT AREA
 TIN PLATING ON SOLDER TAIL

SPECIFICATION

CURRENT RATING:
 1.5A/PIN MAX (A4,A9,B4,B9)
 1.25A/PIN MAX (A1,A12,B1,B12)
 0.25A FOR ALL THE OTHERS CONTACTS
 DIELECTRIC WITHSTANDING: 300V AC FOR ONE MINUTE
 CONTACT RESISTANCE: 40m OHMS MAX
 INSULATION RESISTANCE: 100M OHMS MIN AT DC 300V
 OPERATION TEMPERATURE: -40°C~+85°C

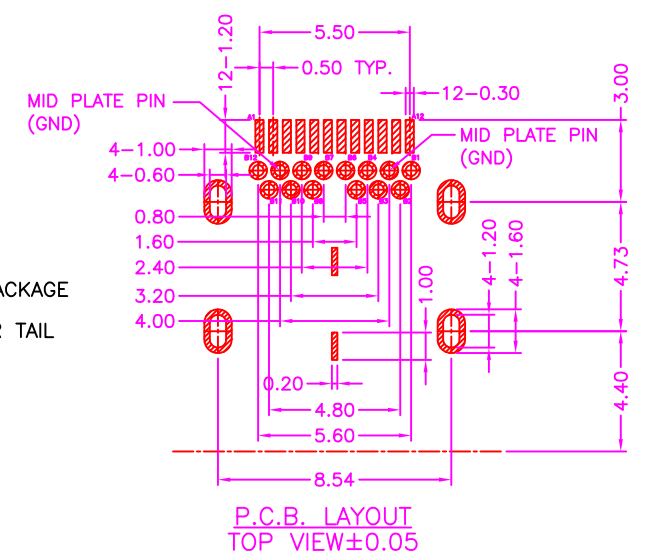


PART NUMBER:
 BUSJB - 2 4 * T - 1 2 R

SERIES — NO. OF POS. — TIN PLATING ON SOLDER TAIL — TAPE REEL PACKAGE

CONTACT PLATED OPTION

- 1: GOLD FLASH
- 3: 3u" GOLD
- 5: 5u" GOLD
- 6: 10u" GOLD
- 7: 15u" GOLD
- 9: 30u" GOLD



TOLERANCES	
X.±0.40	.XX±0.20
.X±0.30	.XXX±0.10

REV.	A	DRAWN BY	Kiki 2022/6/17	TITLE	USB C TYPE, PCB MOUNT, SMT, METAL SHIELD, FEMALE				
		APPROVED BY	Lion 2022/6/17	DRAW NO.	BUSJB-025	UNIT	MM	Sheet	1/1