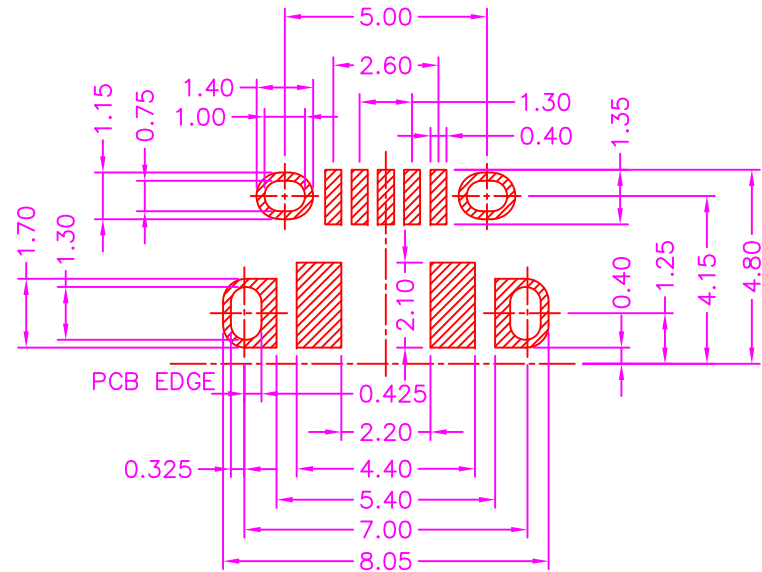
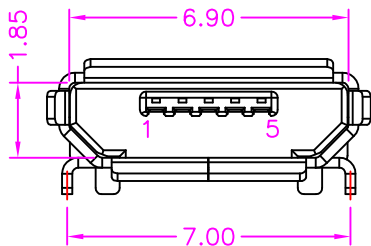
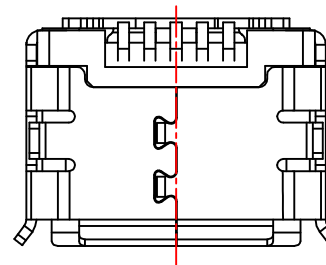
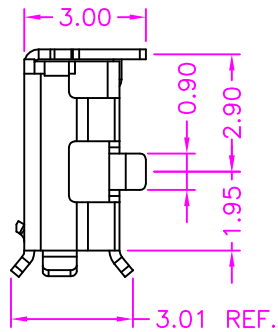
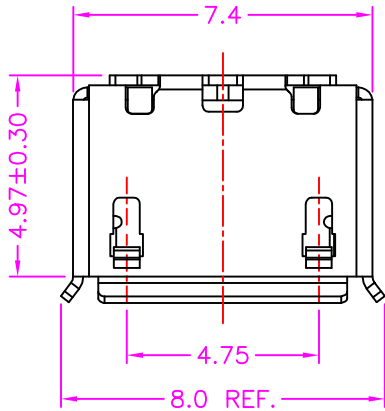
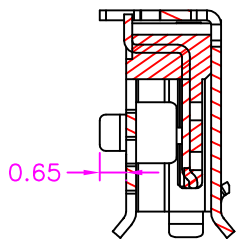


PART NUMBER:  
**BUSTA - 0 5 \* - 1 2 B**

SERIES ——— NO. OF POS. ——— CONTACT PLATED OPTION  
 TAPE REEL PACKAGE

1: GOLD FLASH  
 3: 3u" GOLD  
 5: 5u" GOLD  
 7: 15u" GOLD  
 9: 30u" GOLD



P.C.B. LAYOUT  
 TOP VIEW ±0.05

**MATERIALS**

HOUSING: HI-TEMP. PLASTIC (UL 94V-0), BLACK  
 SHELL: STAINLESS STEEL, NICKEL PLATING  
 TERMINAL: COPPER ALLOY, GOLD PLATING

**SPECIFICATION**

CURRENT RATING: 1.8 AMP MAX (ONLY PIN 1, 5), OTHER 1 AMP MAX  
 DIELECTRIC WITHSTANDING: 100V AC FOR ONE MINUTE  
 CONTACT RESISTANCE: 30m OHMS MAX  
 INSULATION RESISTANCE: 100M OHMS MIN AT DC 500V  
 OPERATION TEMPERATURE: -40°C~+105°C



TOLERANCES	
X.±0.40	.XX±0.20
.X±0.30	.XXX±0.10

REV.	A	DRAWN BY	Zhong 2020/11/27
		APPROVED BY	Lion 2020/11/27

TITLE	MICRO USB B TYPE, PCB MOUNT, SMT, METAL SHIELD, FEMALE				
DRAW NO.	BUSTA-011	UNIT	MM	Sheet	1/1