

**MATERIALS**

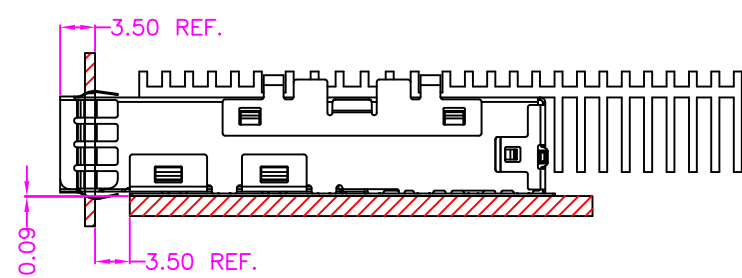
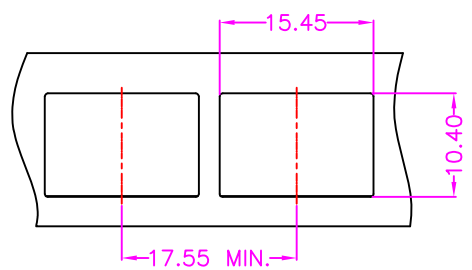
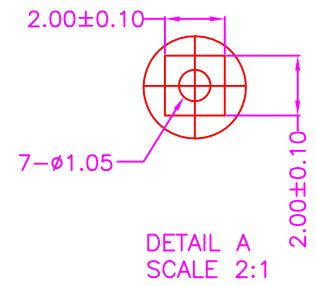
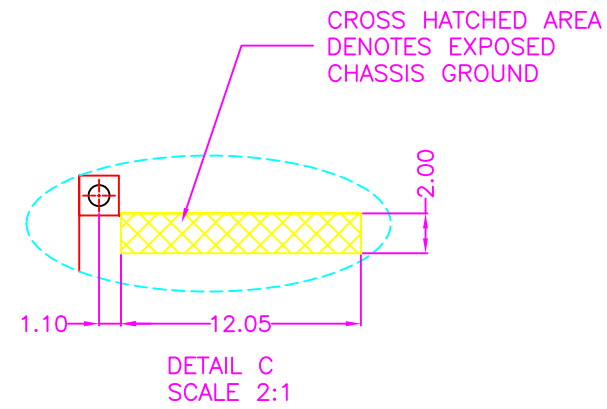
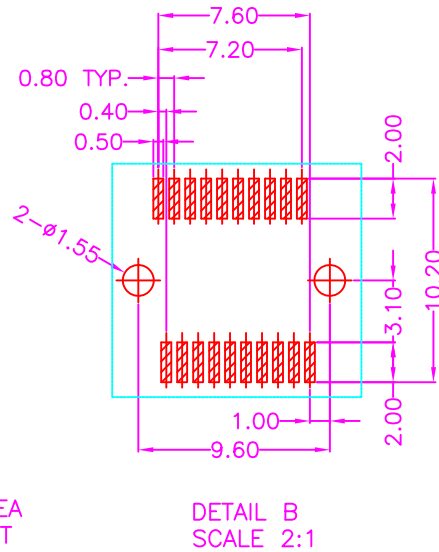
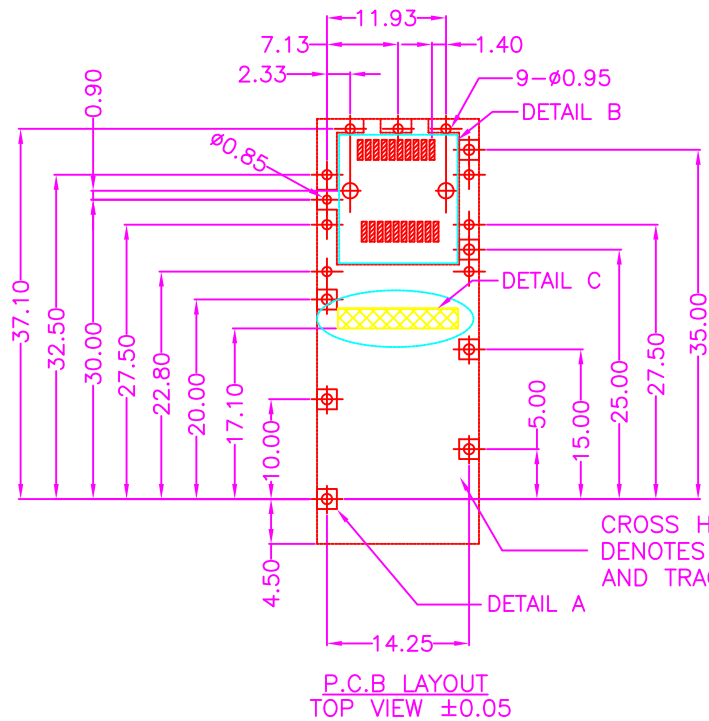
- METAL SHIELD: COPPER ALLOY
- SPRING: COPPER ALLOY
- CLIP: STAINLESS STEEL
- HEAT SINK: ALUMINUM
- BELLY PCB GASKETS: MICROWAVE ABSORBING ELASTOMERS

**PART NUMBER:**

F11KR - 0 C - 1 1

SERIES

TRAY PACKAGE



RECOMMENDED PANEL CUTOUT AND PC BOARD  
PANEL POSITION AND THICKNESS 0.8-2.6

BEZEL OPENING  
BELOW TOP OF PCB



TOLERANCES	
X.±0.40	.XX±0.20
.X±0.30	.XXX±0.10

REV.	A	DRAWN BY	Zhong 2019/3/25	TITLE	SFP28 CAGE, R/A, METAL SHIELD, PRESS FIT TYPE WITH SPRING & HEAT SINK				
		APPROVED BY	Lion 2019/3/25	DRAW NO.	F11KR-001	UNIT	MM	Sheet	2/2