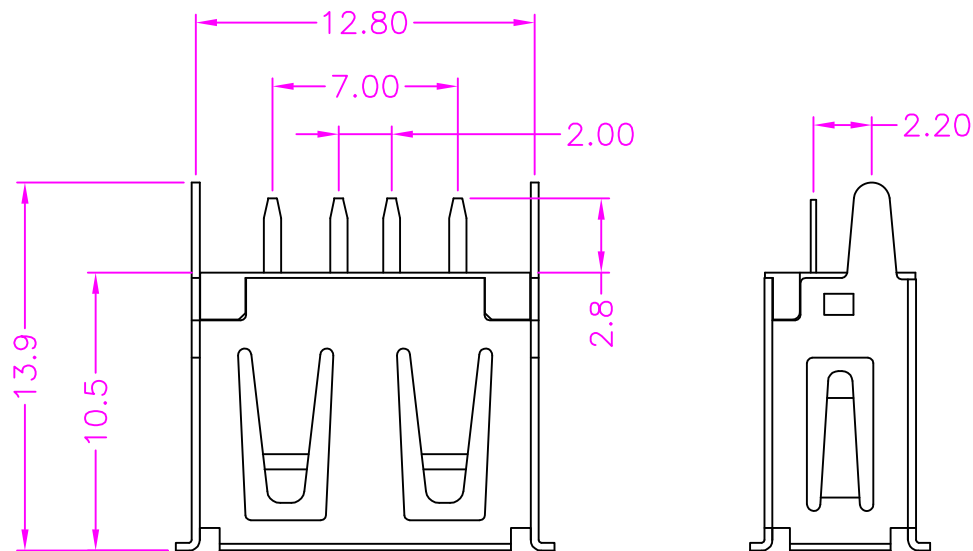


A

A



MATERIALS

HOUSING: PBT (UL 94V-0)
 SHELL: SPCC, NICKEL PLATING
 TERMINAL: COPPER ALLOY, GOLD PLATED ON CONTACT AREA
 TIN PLATING ON SOLDER TAIL

SPECIFICATION

CURRENT RATING: 1.5 AMP MAX
 DIELECTRIC WITHSTANDING: 500V AC FOR ONE MINUTE
 CONTACT RESISTANCE: 30m OHMS MAX
 INSULATION RESISTANCE: 1000M OHMS MIN AT DC 500V
 OPERATION TEMPERATURE: -40°C~+85°C

PART NUMBER:

BUSAA - 0 4 * T - 1 1 J *

SERIES ————
 NO. OF POS. ————
 CONTACT PLATED OPTION ————
 HOUSING COLOR OPTION
 BLANK: BLACK
 W: WHITE
 TRAY PACKAGE
 TIN PLATING ON SOLDER TAIL

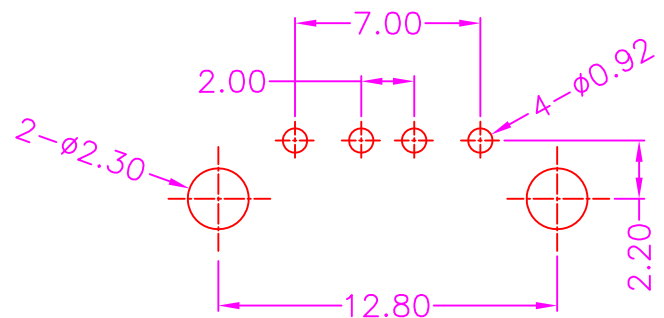
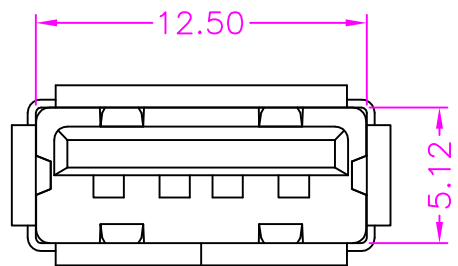
1: GOLD FLASH
 3: 3u" GOLD
 5: 5u" GOLD
 7: 15u" GOLD
 9: 30u" GOLD

B

B

C

C



**P.C.B LAYOUT
 TOP VIEW ±0.05**

D

D