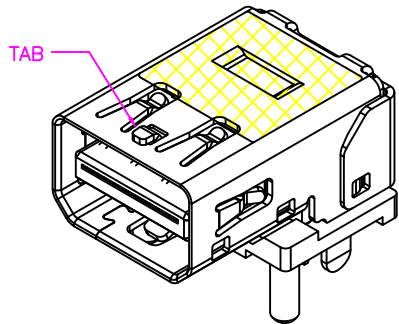
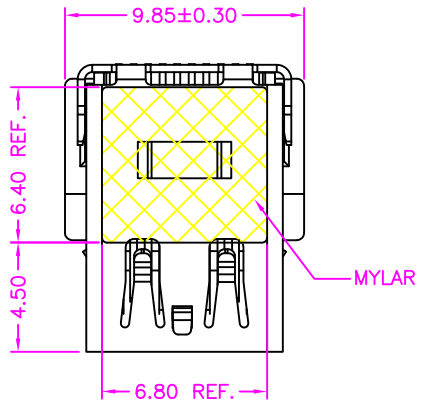


A



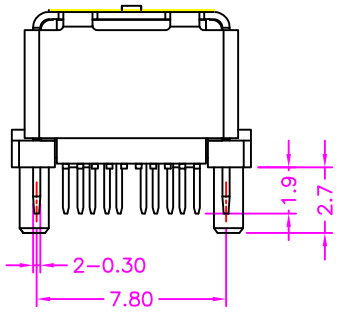
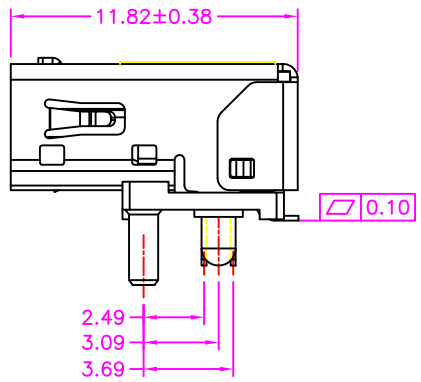
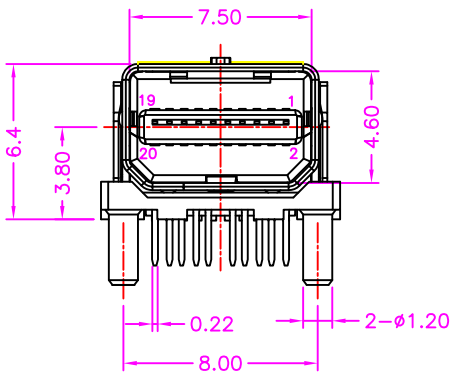
MATERIALS

HOUSING: HI-TEMP. PLASTIC (UL 94V-0), BLACK
 SHELL: STAINLESS STEEL, NICKEL PLATING
 TERMINAL: COPPER ALLOY, GOLD PLATING ON CONTACT AREA
 TIN PLATING ON SOLDER TAIL

SPECIFICATION

CURRENT RATING: 0.5 AMP MAX
 DIELECTRIC WITHSTANDING: 500V AC FOR ONE MINUTE
 CONTACT RESISTANCE: 30m OHMS MAX
 INSULATION RESISTANCE: 100M OHMS MIN AT DC 100V
 OPERATION TEMPERATURE: -40°C~+85°C

B

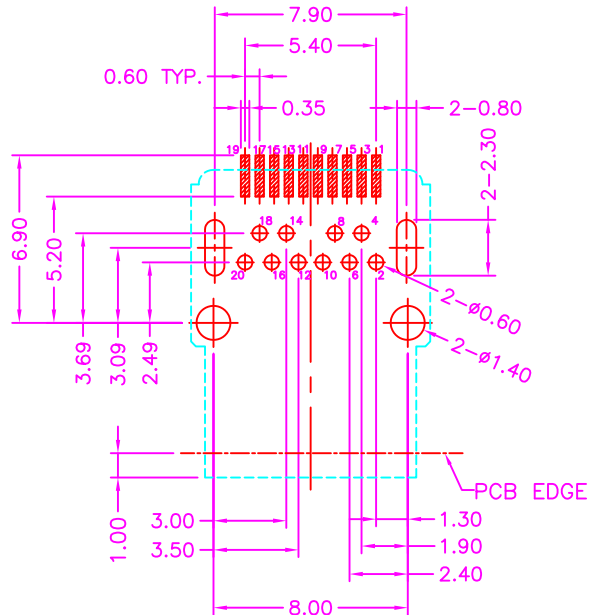


C

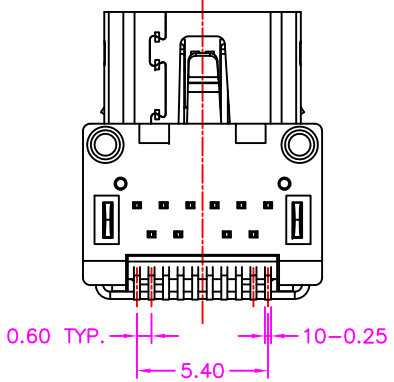
PART NUMBER:
BDPHE - 2 0 * T - 1 2 6

SERIES — NO. OF POS. — CONTACT PLATED OPTION — TAPE REEL PACKAGE — TIN PLATING ON SOLDER TAIL

- 1: GOLD FLASH
- 3: 3u" GOLD
- 5: 5u" GOLD
- 6: 10u" GOLD
- 7: 15u" GOLD
- 9: 30u" GOLD



D



TOLERANCES	
X.±0.40	.XX±0.20
.X±0.30	.XXX±0.10

REV.	A	DRAWN BY	Kiki 2022/12/1	TITLE
		APPROVED BY	Lion 2022/12/1	DRAW NO.

MINI DISPLAY PORT, PCB MOUNT, R/A SMT, METAL SHIELD CENTER HEIGHT=3.80mm WITH TAB, FEMALE				
BDPHE-006	UNIT	MM	Sheet	1/2

A

B

C

D

A

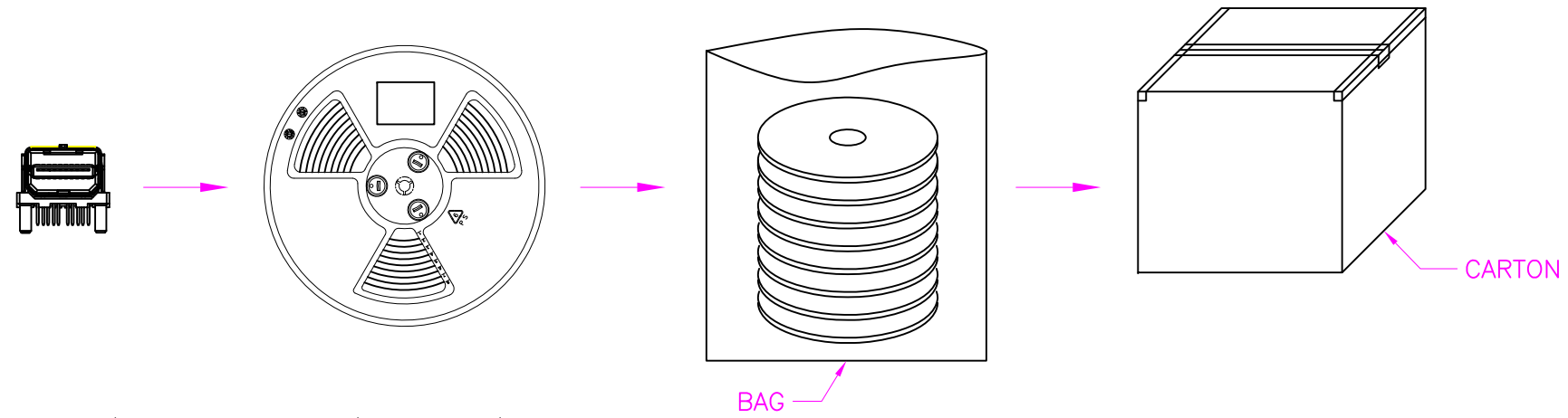
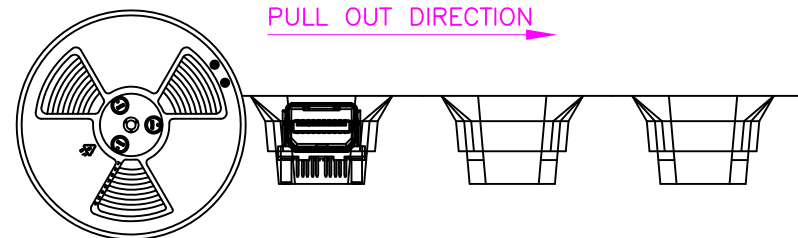
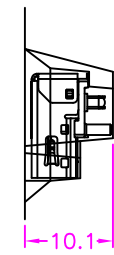
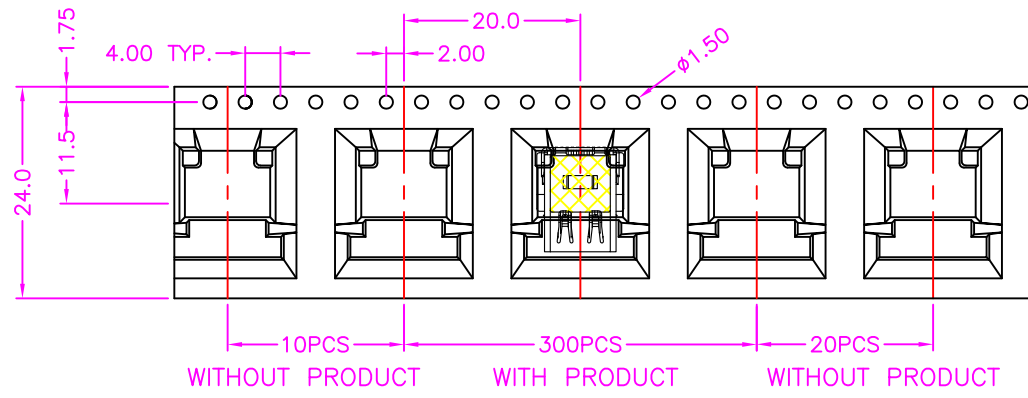
A

B

C

D

A



NOTE: 300PCS/REEL, 3300PCS/11 REEL/CARTON

Z ZICONN
ELECTRONIC CO., LTD.
WWW.ZICONN.COM 886-3-4687695

TOLERANCES	
X.±0.40	.XX±0.20
.X±0.30	.XXX±0.10

REV.	A

DRAWN BY	Kiki 2022/12/1
APPROVED BY	Lion 2022/12/1

TITLE	
DRAW NO.	

MINI DISPLAY PORT, PCB MOUNT, R/A SMT, METAL SHIELD CENTER HEIGHT=3.80mm WITH TAB, FEMALE				
BDPHE-006	UNIT	MM	Sheet	2/2