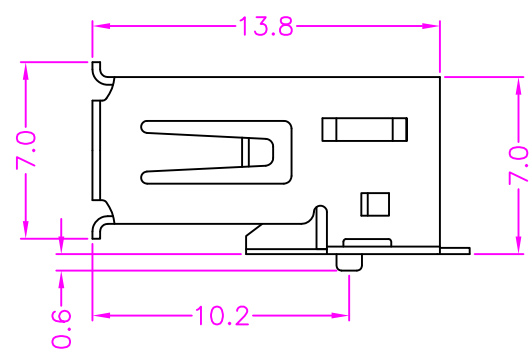
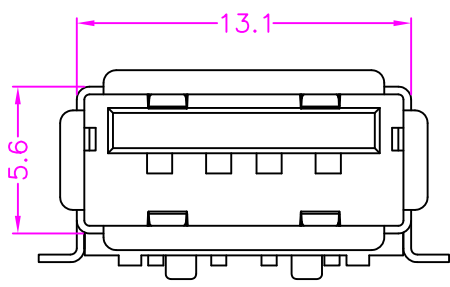


1 2 3 4 5 6

A



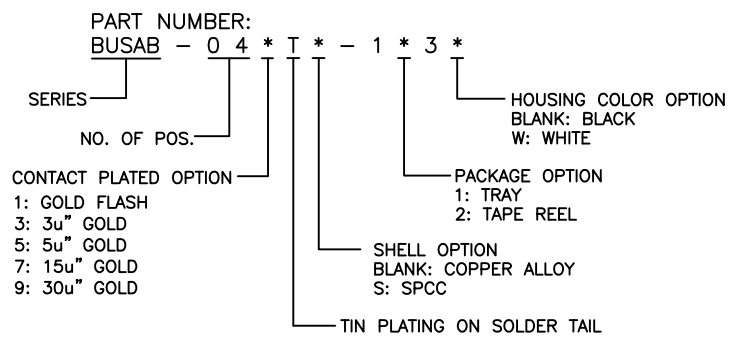
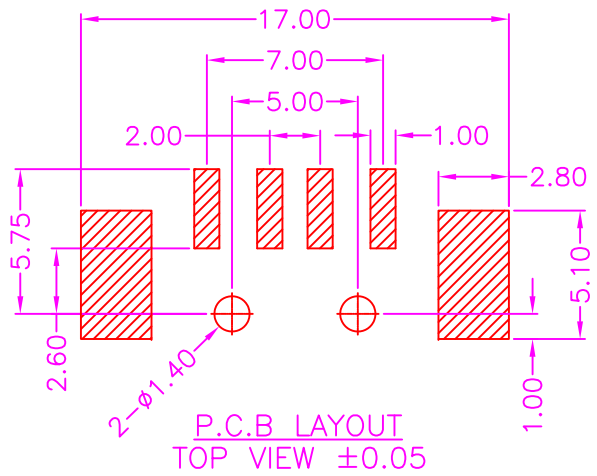
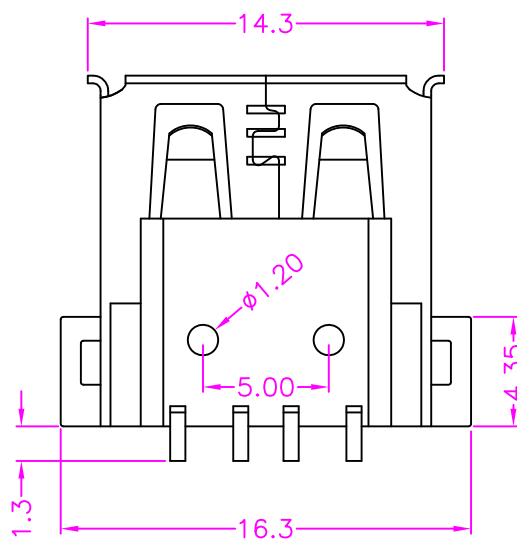
MATERIALS

HOUSING: LCP (UL 94V-0)
 SHELL: COPPER ALLOY OR SPCC, NICKEL PLATING
 TERMINAL: COPPER ALLOY, GOLD PLATED ON CONTACT AREA
 TIN PLATING ON SOLDER TAIL

SPECIFICATION

CURRENT RATING: 1.5 AMP MAX
 VOLTAGE RATING: 30V AC MAX
 DIELECTRIC WITHSTANDING: 500V AC FOR ONE MINUTE
 CONTACT RESISTANCE: 30m OHMS MAX
 INSULATION RESISTANCE: 1000M OHMS MIN AT DC 500V
 MATING FORCE: 3.57KG MAX
 UNMATING FORCE: 1.02KG MIN
 OPERATION TEMPERATURE: -40°C~+85°C

B



C

B	MODIFY SHELL & BOTTOM PLASTIC	2022.12.22
A	RELEASE	2020.10.30
REV.	DESCRIPTION	DATE



TOLERANCES

X.±0.40	.XX±0.20
.X±0.30	.XXX±0.10

REV.	B	DRAWN BY	Zhong 2020/10/30	TITLE	USB A TYPE, PCB MOUNT, SMT, METAL SHIELD FEMALE				
		APPROVED BY	Lion 2020/10/30	DRAW NO.	BUSAB-003	UNIT	MM	Sheet	1/1

D

1 2 3 4 5 6

A

B

C

D

C0101