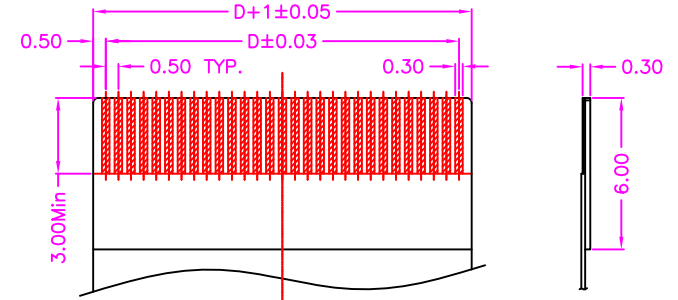
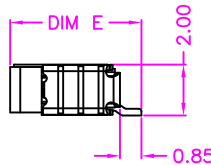
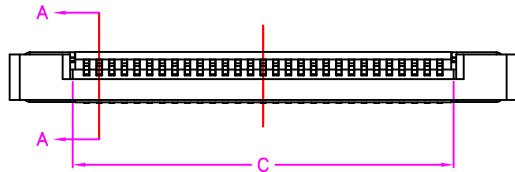
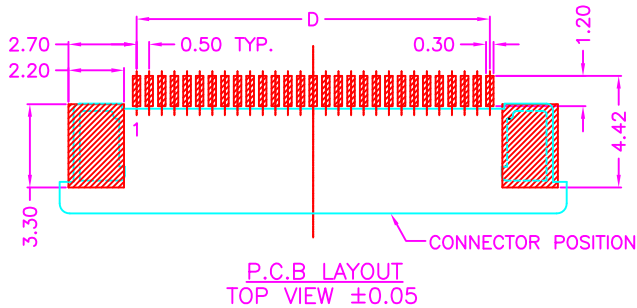


SECTION A-A  
SCALE 1:1



APPLICABLE FPC  
RECOMMENDED DIMENSION



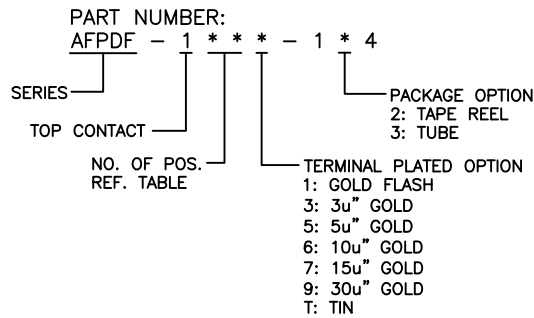
P.C.B LAYOUT  
TOP VIEW ±0.05

**MATERIALS**

HOUSING: HI-TEMP. PLASTIC (UL 94V-0), BEIGE  
 ACTUATOR: HI-TEMP. PLASTIC (UL 94V-0), BLACK  
 SOLDER PAD: COPPER ALLOY, TIN PLATING  
 TERMINAL: COPPER ALLOY

**SPECIFICATION**

CURRENT RATING: 0.5 AMP MAX  
 DIELECTRIC WITHSTANDING: 250V AC FOR ONE MINUTE  
 CONTACT RESISTANCE: 30m OHMS MAX  
 INSULATION RESISTANCE: 50M OHMS MIN AT DC 250V  
 OPERATION TEMPERATURE: -55°C~+85°C

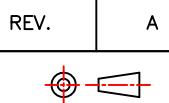


TABLE

NO. OF POS.	Dimensions					F	NO. OF POS.	Dimensions					F
	A	B	C	D	E			A	B	C	D	E	
04	7.60	6.50	2.60	1.50			33	22.10	21.00	17.10	16.00		
05	8.10	7.00	3.10	2.00			34	22.60	21.50	17.60	16.50		
06	8.60	7.50	3.60	2.50			35	23.10	22.00	18.10	17.00		
07	9.10	8.00	4.10	3.00			36	23.60	22.50	18.60	17.50		
08	9.60	8.50	4.60	3.50			37	24.10	23.00	19.10	18.00		
09	10.10	9.00	5.10	4.00			38	24.60	23.50	19.60	18.50		
10	10.60	9.50	5.60	4.50			39	25.10	24.00	20.10	19.00		
11	11.10	10.00	6.10	5.00			40	25.60	24.50	20.60	19.50		
12	11.60	10.50	6.60	5.50			41	26.10	25.00	21.10	20.00		
13	12.10	11.00	7.10	6.00			42	26.60	25.50	21.60	20.50		
14	12.60	11.50	7.60	6.50			43	27.10	26.00	22.10	21.00		
15	13.10	12.00	8.10	7.00			44	27.60	26.50	22.60	21.50		
16	13.60	12.50	8.60	7.50			45	28.10	27.00	23.10	22.00		
17	14.10	13.00	9.10	8.00			46	28.60	27.50	23.60	22.50		
18	14.60	13.50	9.60	8.50	5.20	6.45	47	29.10	28.00	24.10	23.00		
19	15.10	14.00	10.10	9.00			48	29.60	28.50	24.60	23.50		
20	15.60	14.50	10.60	9.50			49	30.10	29.00	25.10	24.00		
21	16.10	15.00	11.10	10.00			50	30.60	29.50	25.60	24.50		
22	16.60	15.50	11.60	10.50			51	31.10	30.00	26.10	25.00		
23	17.10	16.00	12.10	11.00			52	31.60	30.50	26.60	25.50		
24	17.60	16.50	12.60	11.50			53	32.10	31.00	27.10	26.00		
25	18.10	17.00	13.10	12.00			54	32.60	31.50	27.60	26.50		
26	18.60	17.50	13.60	12.50			55	33.10	32.00	28.10	27.00		
27	19.10	18.00	14.10	13.00			56	33.60	32.50	28.60	27.50		
28	19.60	18.50	14.60	13.50			57	34.10	33.00	29.10	28.00		
29	20.10	19.00	15.10	14.00			58	34.60	33.50	29.60	28.50		
30	20.60	19.50	15.60	14.50			59	35.10	34.00	30.10	29.00		
31	21.10	20.00	16.10	15.00			60	35.60	34.50	30.60	29.50		
32	21.60	20.50	16.60	15.50									



TOLERANCES  
 X.±0.40 .XX±0.20  
 .X±0.30 .XXX±0.10



DRAWN BY Zhong 2018/5/21  
 APPROVED BY Lion 2018/5/21

TITLE FPC 0.50mm PITCH, PCB MOUNT, SMT, TOP CONTACT, ZIF FEMALE, H=2.00mm  
 DRAW NO. AFPDF-004 UNIT MM Sheet 1/1