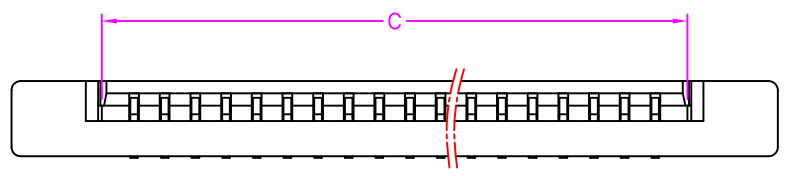


A



A=(NUMBER OF POS.)+7.10
 B=(NUMBER OF POS.)+6.20
 C=(NUMBER OF POS.)+1.15
 D=(NUMBER OF POS.-1)

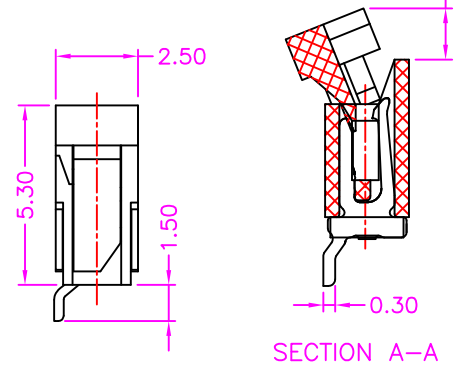
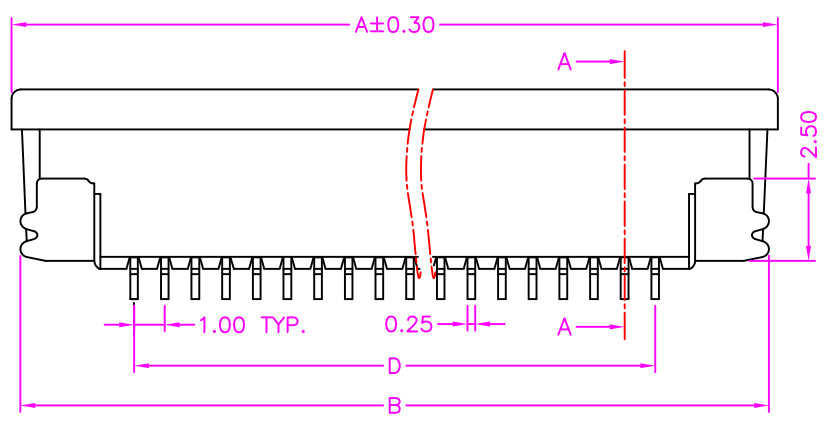
MATERIALS

HOUSING: HI-TEMP. PLASTIC (UL 94V-0), NATURAL
 ACTUATOR: HI-TEMP. PLASTIC (UL 94V-0), BLACK
 SOLDER PAD: COPPER ALLOY, TIN PLATING
 TERMINAL: COPPER ALLOY

SPECIFICATION

CURRENT RATING: 0.5 AMP MAX
 DIELECTRIC WITHSTANDING: 500V AC FOR ONE MINUTE
 CONTACT RESISTANCE: 30m OHMS MAX
 INSULATION RESISTANCE: 500M OHMS MIN AT DC 250V
 OPERATION TEMPERATURE: -55°C~+85°C

B

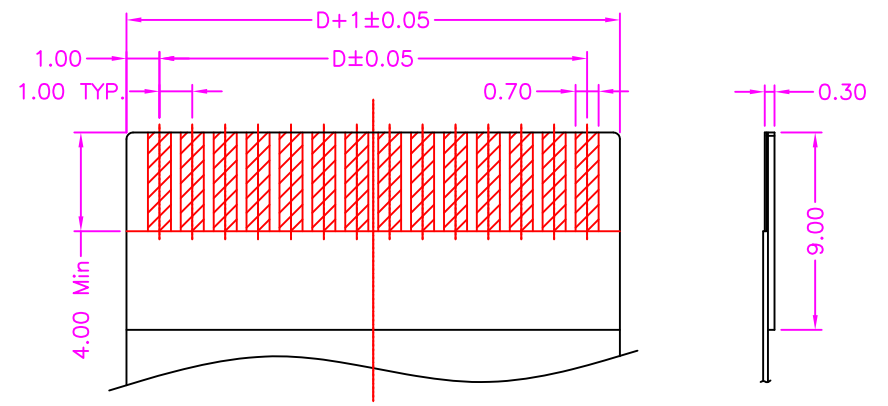
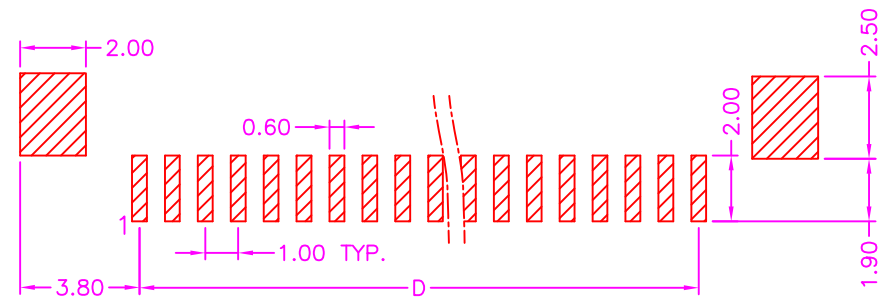


PART NUMBER:
AFPCF - 1 * * * - 1 * 2

SERIES: AFPCF
 TOP CONTACT: 1 * * *
 NO. OF POS. (04 ~ 36 POS.): - 1 *
 PACKAGE OPTION: 2: TAPE REEL, 3: TUBE

TERMINAL PLATED OPTION:
 1: GOLD FLASH
 3: 3u" GOLD
 5: 5u" GOLD
 6: 10u" GOLD
 7: 15u" GOLD
 9: 30u" GOLD
 T: TIN

C



**P.C.B LAYOUT
 TOP VIEW ±0.05**

**APPLICABLE FPC
 RECOMMENDED DIMENSION**

D

ZICONN
 ELECTRONIC CO., LTD.
 WWW.ZICONN.COM 886-3-4687695

TOLERANCES	
X.±0.40	.XX±0.20
.X±0.30	.XXX±0.10

REV.	A

DRAWN BY	Zhong 2021/1/20
APPROVED BY	Lion 2021/1/20

TITLE	FPC 1.00mm PITCH, PCB MOUNT, SMT, TOP CONTACT, ZIF H=2.50mm, FEMALE				
DRAW NO.	AFPCF-002	UNIT	MM	Sheet	1/1