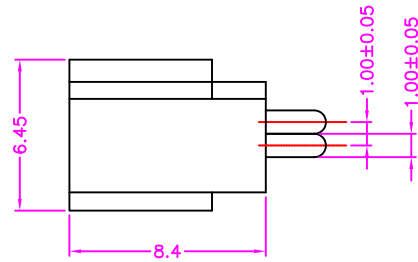
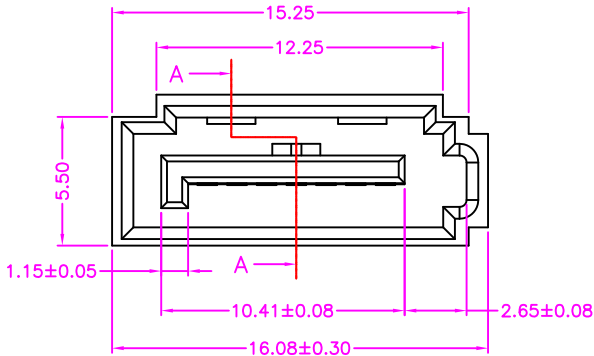


### MATERIALS

HOUSING: HI-TEMP. PLASTIC (UL 94V-0), BLACK  
 CAP: HI-TEMP. PLASTIC (UL 94V-0), BLACK  
 PEG: COPPER ALLOY, TIN PLATING  
 TERMINAL: COPPER ALLOY, GOLD PLATED ON CONTACT AREA  
 TIN PLATING ON SOLDER TAIL

### SPECIFICATION

CURRENT RATING: 1.5 AMP MAX  
 DIELECTRIC WITHSTANDING: 500V AC FOR ONE MINUTE  
 CONTACT RESISTANCE: 30m OHMS MAX  
 INSULATION RESISTANCE: 1000M OHMS MIN AT DC 500V  
 OPERATION TEMPERATURE: -40°C~+105°C

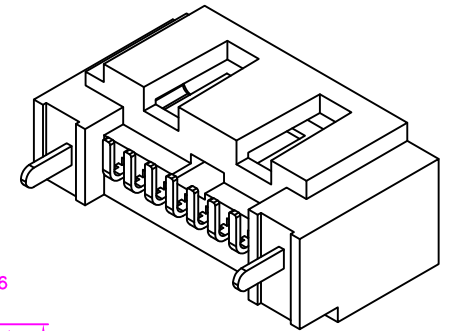
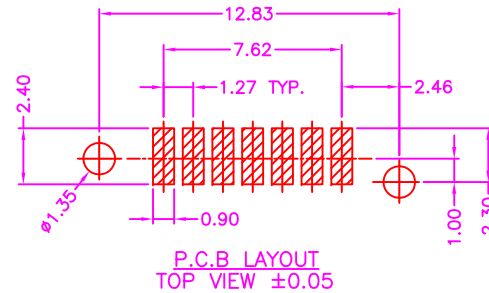
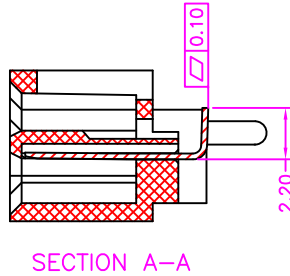
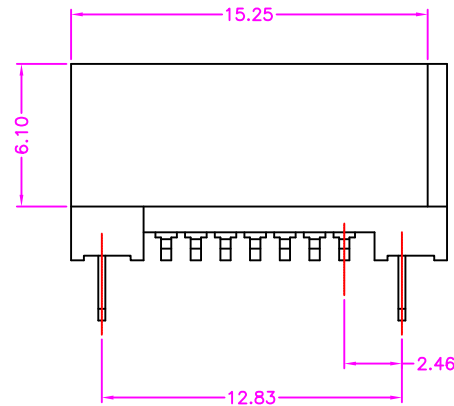


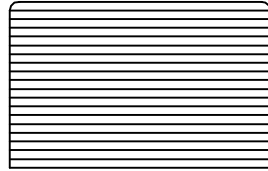
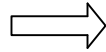
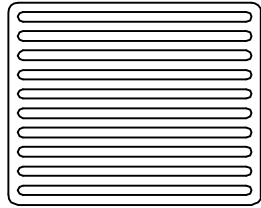
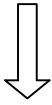
PART NUMBER:  
**BSAUF - 0 7 \* T - 2 \* 1**

SERIES — NO. OF POS. — CONTACT PLATED OPTION — TIN PLATING ON SOLDER TAIL — PACKAGE OPTION

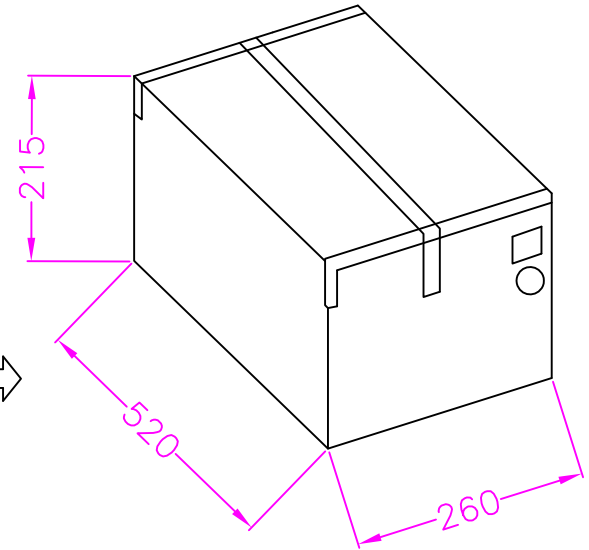
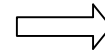
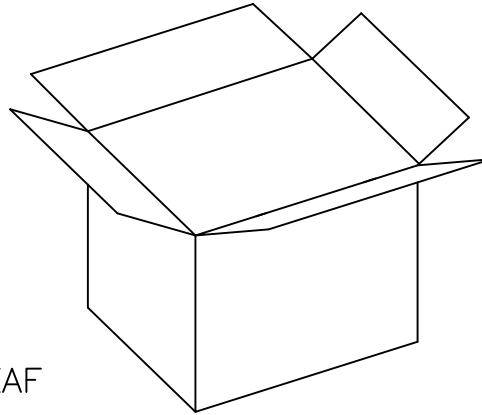
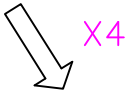
1: TRAY (W/O CAP)  
 2: TAPE REEL (WITH CAP)  
 6: TRAY (WITH CAP)

1: GOLD FLASH  
 3: 3u" GOLD  
 5: 5u" GOLD  
 6: 10u" GOLD  
 7: 15u" GOLD  
 9: 30u" GOLD





SHEAF



NOTE:

QUANTITY:

130PCS/TRAY, 1300PCS/ 10 TRAY/ SHEAF  
4SHEAF/ 5200PCS/ CARTON

DIMENSION:

TRAY: L=240.0 W=240.0 H=12.0

CARTON: L=260.0 W=520.0 H=215