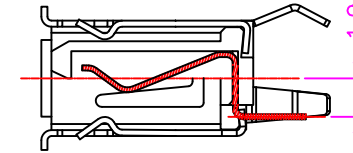
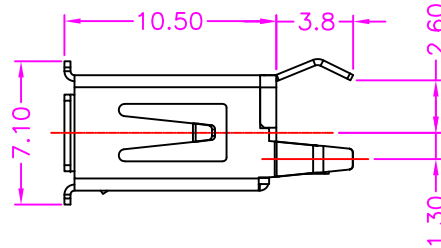
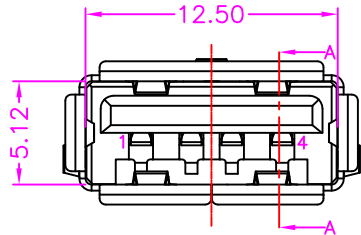
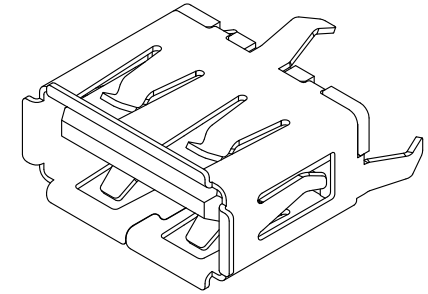


MATERIALS

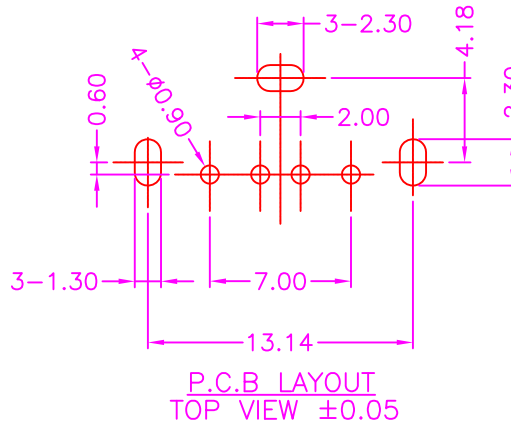
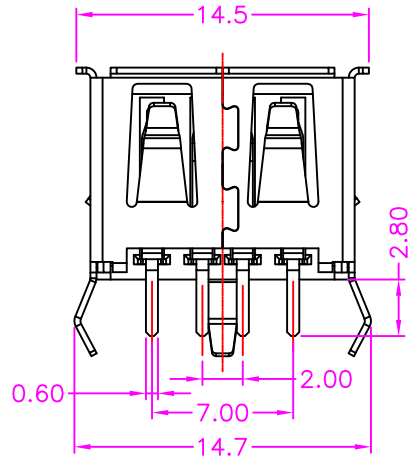
HOUSING: THERMOPLASTIC (UL 94V-0)
 SHELL: COPPER ALLOY OR SPCC, NICKEL PLATING
 TERMINAL: COPPER ALLOY, GOLD PLATED ON CONTACT AREA
 TIN PLATING ON SOLDER TAIL

SPECIFICATION

CURRENT RATING: 1.5 AMP MAX
 DIELECTRIC WITHSTANDING: 500V AC FOR ONE MINUTE
 CONTACT RESISTANCE: 30m OHMS MAX
 INSULATION RESISTANCE: 1000M OHMS MIN AT DC 500V
 OPERATION TEMPERATURE: -40°C~+85°C



SECTION A-A



PART NUMBER:
BUSAA - 0 4 * T * - 1 1 7

SERIES — NO. OF POS. — CONTACT PLATED OPTION — TRAY PACKAGE — SHELL MATERIAL OPTION
 BLANK: COPPER ALLOY
 P: SPCC — TIN PLATING ON SOLDER TAIL

1: GOLD FLASH
 3: 3u" GOLD
 5: 5u" GOLD
 7: 15u" GOLD
 9: 30u" GOLD