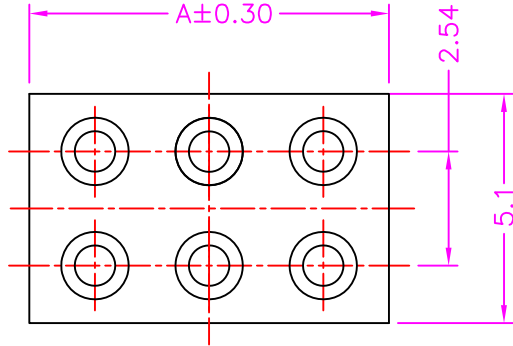


A=(NUMBER OF POS. PER ROW)x2.54
 B=(NUMBER OF POS. PER ROW-1)x2.54



MATERIALS

HOUSING: HI-TEMP. PLASTIC (UL 94V-0), BLACK
 SPRING: STAINLESS STEEL
 BARREL: COPPER ALLOY, GOLD PLATED
 PLUNGER: COPPER ALLOY, GOLD PLATED

SPECIFICATION

CURRENT RATING: 3 AMP MAX
 CONTACT RESISTANCE: 50m OHMS MAX
 OPERATION TEMPERATURE: -40°C~+85°C

PART NUMBER:

APGGB - * * * - 0 * A

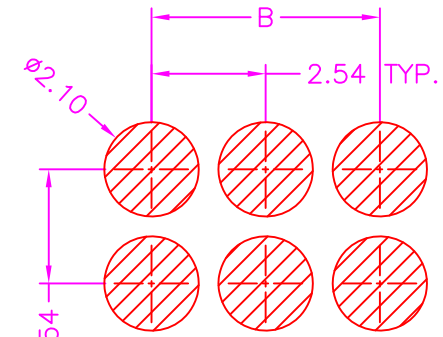
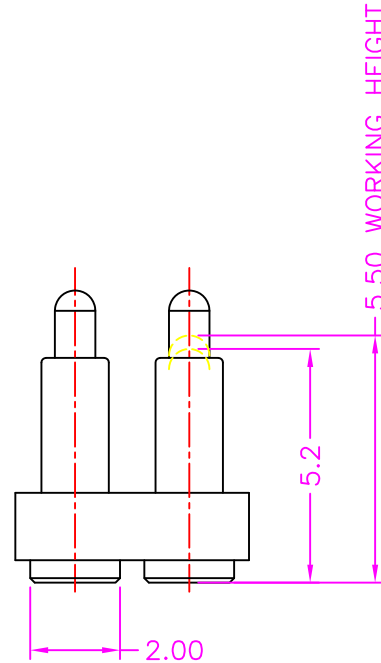
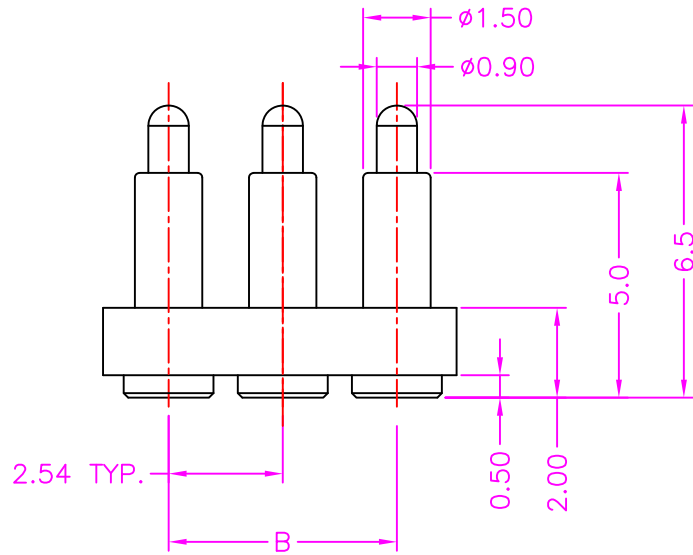
SERIES

NO. OF POS.
(02 ~ 20 POS.)

PACKAGE OPTION
 2: TAPE REEL
 4: BAG

CONTACT PLATING OPTION

- 1: GOLD FLASH
- 3: 3u" GOLD
- 5: 5u" GOLD
- 6: 10u" GOLD
- 7: 15u" GOLD
- 9: 30u" GOLD



P.C.B LAYOUT
 TOP VIEW ±0.05