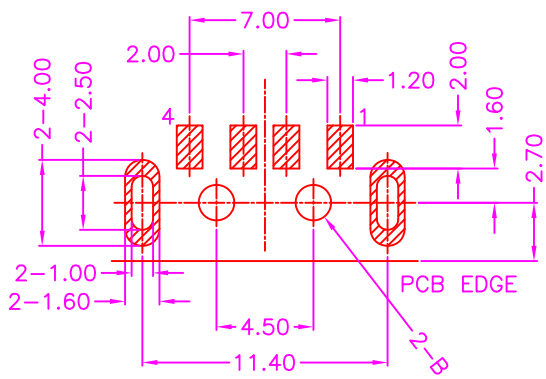
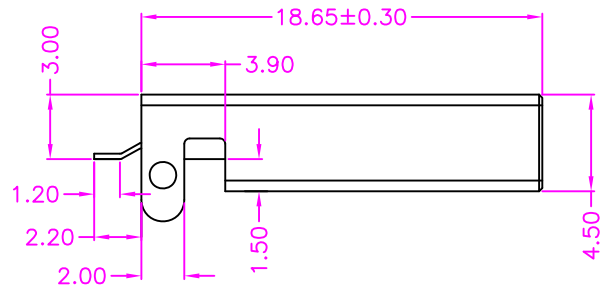
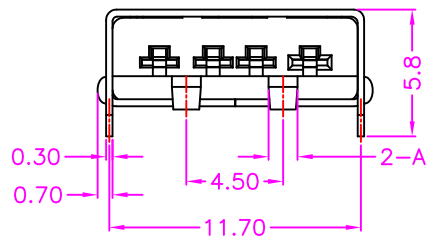


MATERIALS

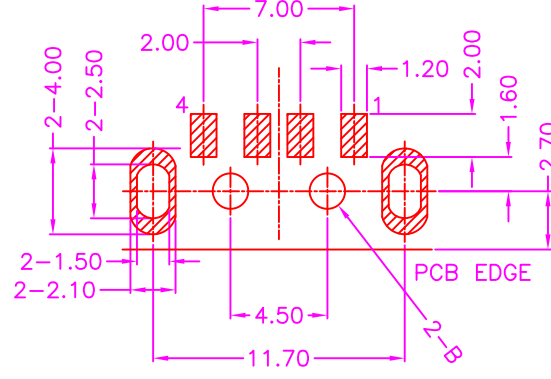
HOUSING: NYLON 9T (UL 94V-0)
 SHELL: SPCC, NICKEL PLATING
 TERMINAL: COPPER ALLOY, GOLD PLATED ON CONTACT AREA
 TIN PLATING ON SOLDER TAIL

SPECIFICATION

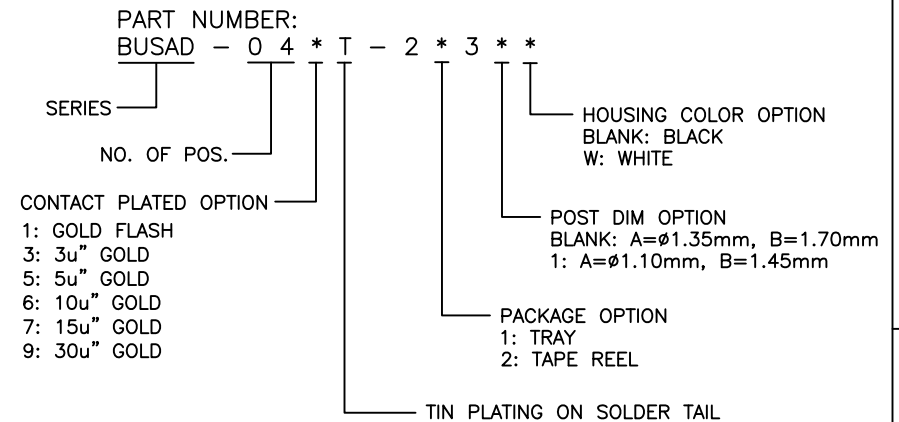
VOLTAGE RATING: 30V MAX
 CURRENT RATING: 1.5 AMP MAX
 DIELECTRIC WITHSTANDING: 500V AC FOR ONE MINUTE
 CONTACT RESISTANCE: 30m OHMS MAX
 INSULATION RESISTANCE: 1000M OHMS MIN AT DC 500V
 OPERATION TEMPERATURE: -40°C~+85°C

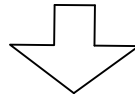
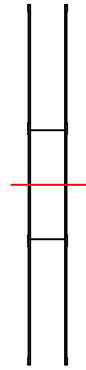
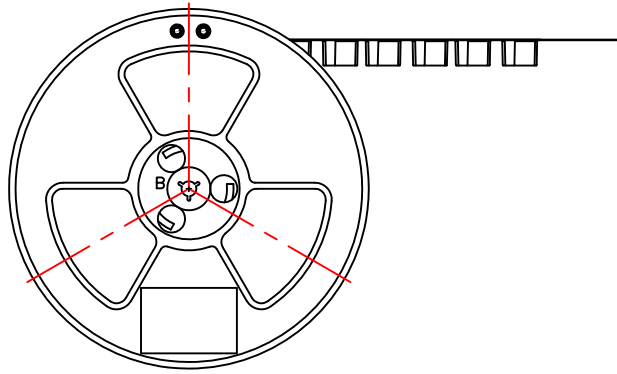


P.C.B LAYOUT
 TOP VIEW ±0.05
 TRAY PACKAGE

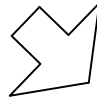
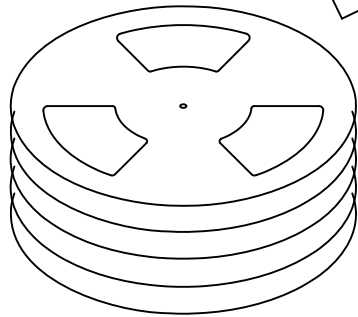
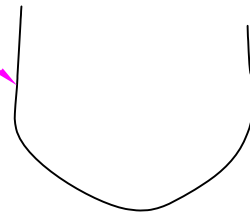


P.C.B LAYOUT
 TOP VIEW ±0.05
 TAPE REEL PACKAGE

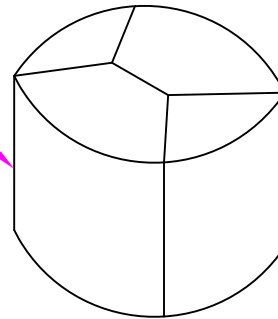




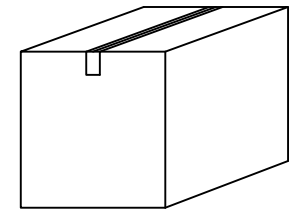
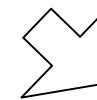
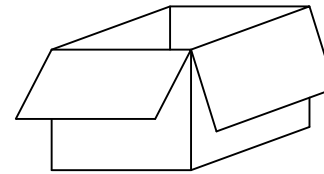
PE BAG



SEALING



PE BAG



NOTE: 500PCS/ REEL, 3500PCS/ 7 REEL/ CARTON