

A

B

C

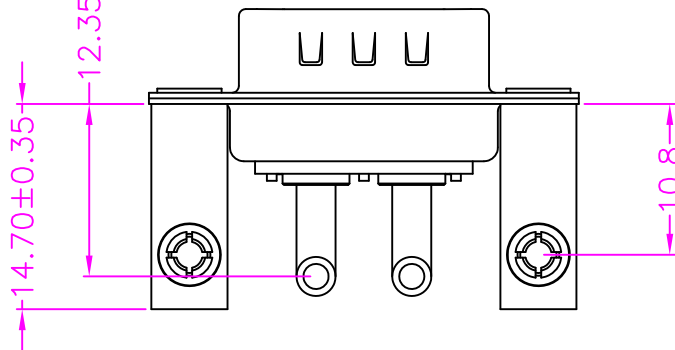
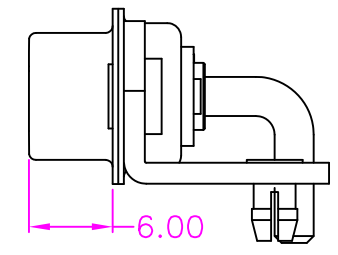
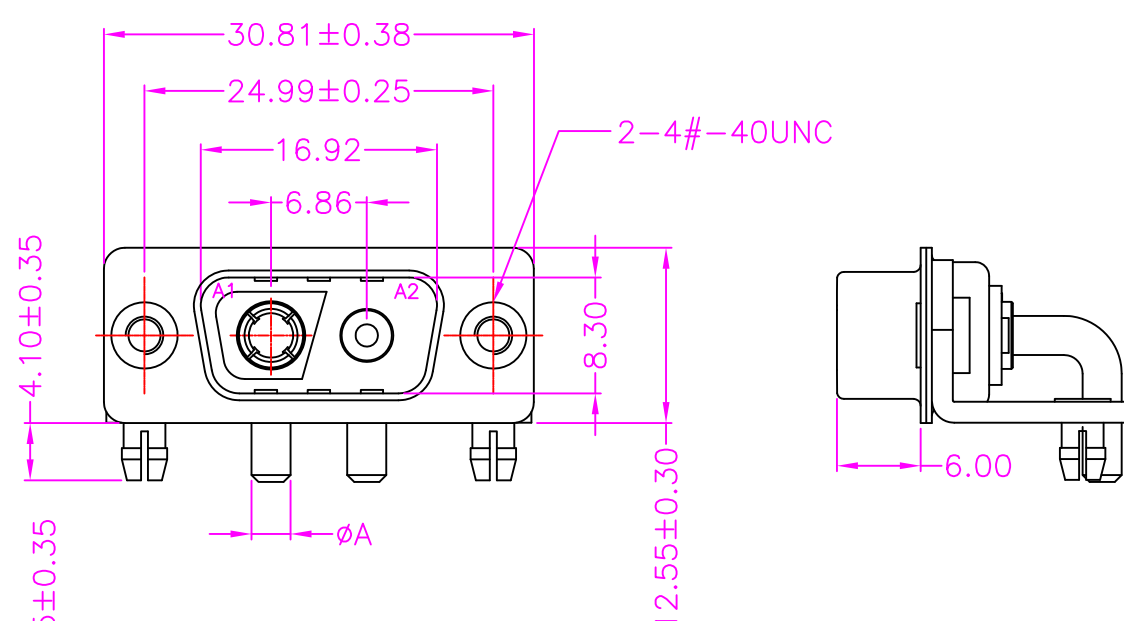
D

A

B

C

D



MATERIALS
 HOUSING: PBT (UL 94V-0), BLACK
 SHELL: SPCC, NICKEL PLATING
 BOARDLOCK: SPCC, TIN PLATING
 TERMINAL: COPPER ALLOY, GOLD PLATED

SPECIFICATION
 DIELECTRIC WITHSTANDING: 1000V AC FOR ONE MINUTE
 CONTACT RESISTANCE: 30m OHMS MAX
 INSULATION RESISTANCE: 1000M OHMS MIN AT DC 500V
 OPERATION TEMPERATURE: -55°C~+125°C

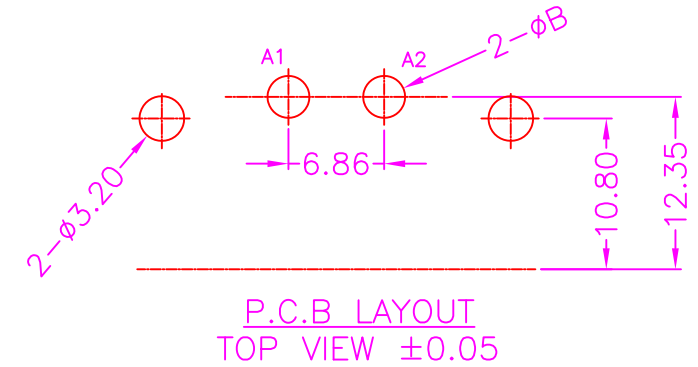
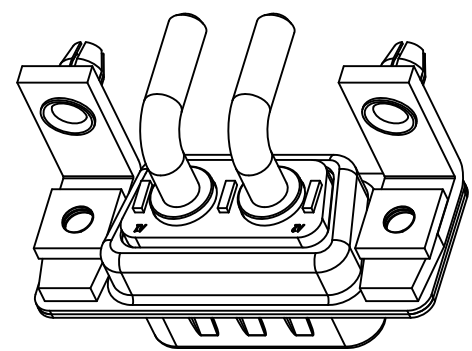
PART NUMBER:
BDBSA - 2 W 2 * - 3 1 5 *

SERIES ————
 CONTACT PLATED OPTION ————
 TRAY PACKAGE ————
 CURRENT RATING & ØA & ØB OPTION REF. TABLE

1: GOLD FLASH
 3: 3u" GOLD
 5: 5u" GOLD
 6: 10u" GOLD
 7: 15u" GOLD
 9: 30u" GOLD
 11: 6u" GOLD

TABLE

P/N	AMPERE	ØA	ØB
A	10	1.70	2.00
B	20	2.80	3.30
C	30	3.20	3.70
D	40	3.80	4.30



TOLERANCES

X.±0.40	.XX±0.20
.X±0.30	.XXX±0.10

REV.	A	DRAWN BY	Kiki 2022/9/12	TITLE	COAX. D-SUB, PCB MOUNT, R/A, METAL SHIELD WITH BOARDLOCK MACHINE PIN, 2W2, MALE
		APPROVED BY	Lion 2022/9/12	DRAW NO.	BDBSA-005

UNIT	MM	Sheet	1/1
------	----	-------	-----