

**MATERIALS**

HOUSING: HI-TEMP. PLASTIC (UL 94V-0), BLACK  
 TERMINAL: COPPER ALLOY, GOLD PLATED

**SPECIFICATION**

CURRENT RATING: 5 AMP MAX  
 DIELECTRIC WITHSTANDING: 500V AC FOR ONE MINUTE  
 CONTACT RESISTANCE: 50m OHMS MAX  
 INSULATION RESISTANCE: 1000M OHMS MIN AT DC 500V  
 OPERATION TEMPERATURE: -40°C~+85°C

PART NUMBER:

ABTBK - \* \* \* - 1 2 1

SERIES

NO. OF POS.  
REF TABLE

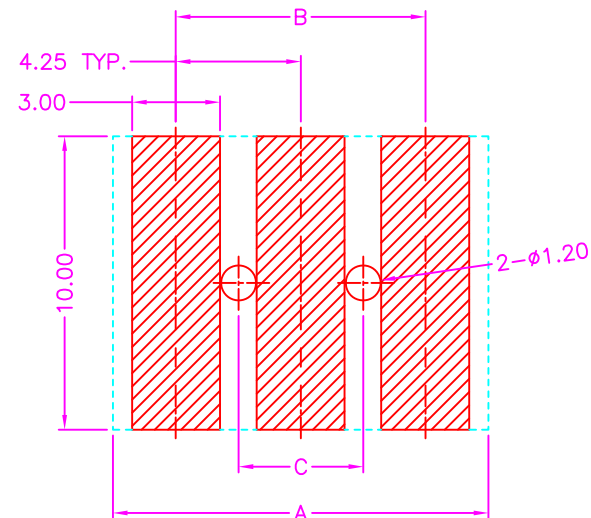
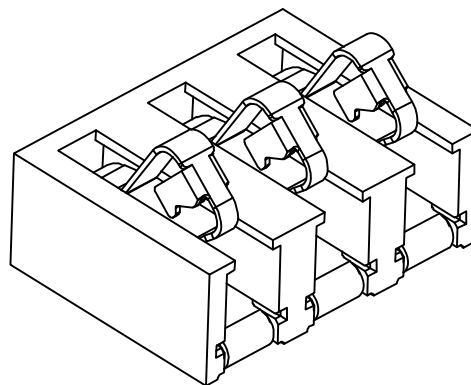
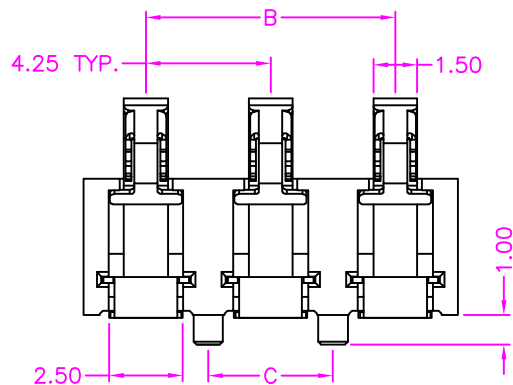
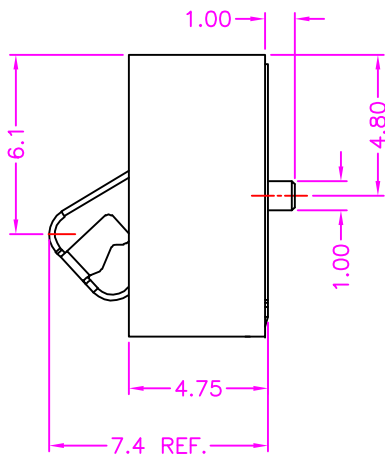
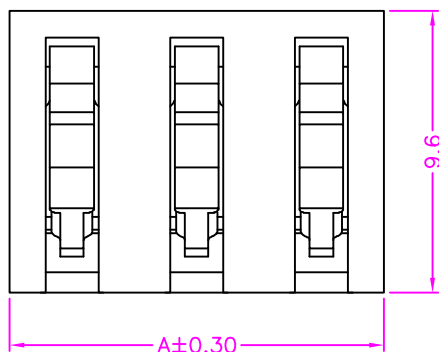
TAPE REEL PACKAGE

TERMINAL PLATED OPTION

- 1: GOLD FLASH
- 3: 3u" GOLD
- 5: 5u" GOLD
- 6: 10u" GOLD
- 7: 15u" GOLD
- 9: 30u" GOLD

TABLE

POS.	DIM A	DIM B	DIM C
03	12.75	8.50	4.25
04	17.00	12.75	8.50
05	21.25	17.00	12.75
06	25.50	21.25	17.00



P.C.B LAYOUT  
TOP VIEW ±0.05

