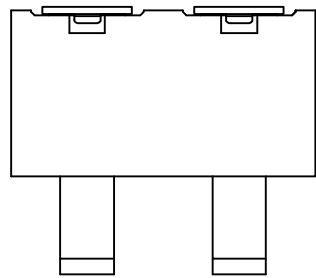


1 2 3 4 5 6

A

A



MATERIALS

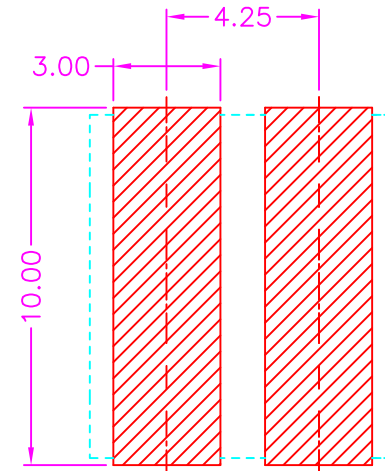
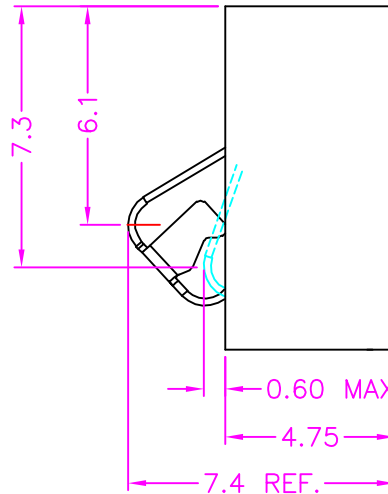
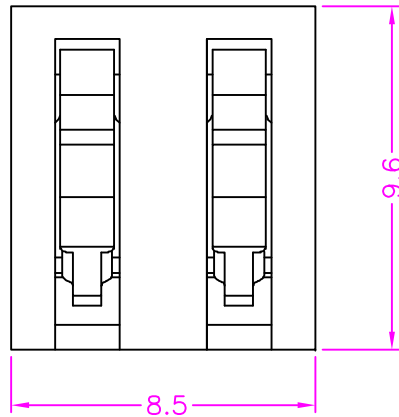
HOUSING: HI-TEMP. PLASTIC (UL 94V-0), BLACK
 TERMINAL: COPPER ALLOY, GOLD PLATED

SPECIFICATION

CURRENT RATING: 5 AMP MAX
 VOLTAGE RATING: 30V MAX
 DIELECTRIC WITHSTANDING: 500V AC FOR ONE MINUTE
 CONTACT RESISTANCE: 50m OHMS MAX
 INSULATION RESISTANCE: 1000M OHMS MIN AT DC 500V
 OPERATION TEMPERATURE: -40°C~+85°C

B

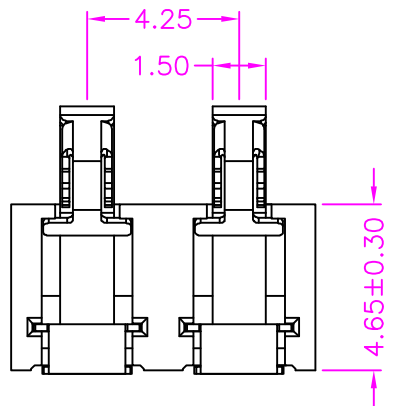
B



P.C.B LAYOUT
 TOP VIEW ±0.05

C

C



PART NUMBER:
 ABTBG - 0 2 * - 1 * 1

SERIES ——— NO. OF POS. ——— PACKAGE OPTION
 1: TRAY
 2: TAPE REEL

TERMINAL PLATED OPTION

- 1: GOLD FLASH
- 3: 3u" GOLD
- 5: 5u" GOLD
- 6: 10u" GOLD
- 7: 15u" GOLD
- 9: 30u" GOLD

D

D



TOLERANCES	
X.±0.40	.XX±0.20
.X±0.30	.XXX±0.10

REV.	A	DRAWN BY	Zhong 2021/4/20	TITLE	BATTERY, 4.25mm PITCH, PCB MOUNT, VERTICAL SMT				
		APPROVED BY	Lion 2021/4/20	DRAW NO.	ABTBG-001	UNIT	MM	Sheet	1/1

1 2 3 4 5 6

C0150