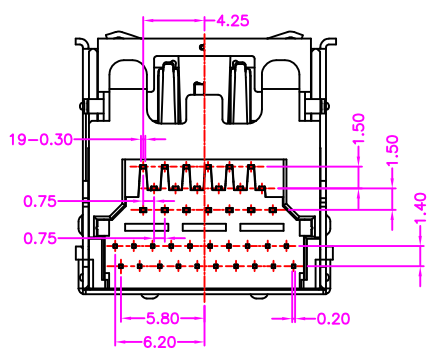
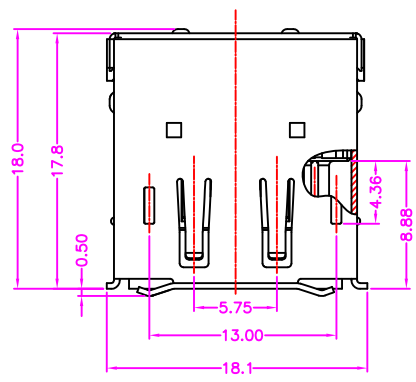


A



MATERIALS

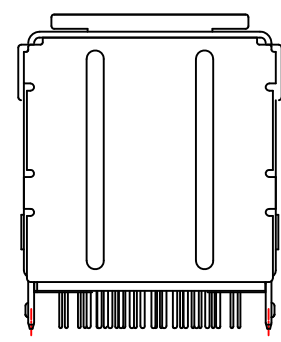
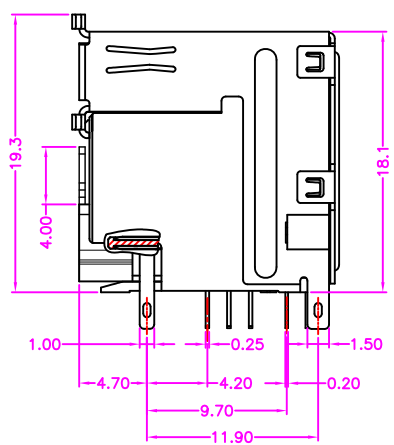
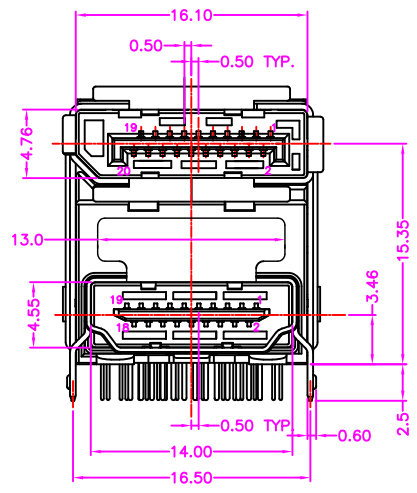
HOUSING:
 DISPLAY PORT: PBT (UL 94V-0) BLACK
 HDMI: PBT (UL 94V-0) BLACK
 SHELL:
 DP: COPPER ALLOY, NICKEL PLATING
 HDMI: COPPER ALLOY, NICKEL PLATING
 REAR SHELL: STEEL, NICKEL PLATING
 TERMINAL: COPPER ALLOY, GOLD PLATED ON CONTACT AREA
 TIN PLATING ON SOLDER TAIL

SPECIFICATION

DISPLAY PORT
 CURRENT RATING: 0.5 AMP MAX
 DIELECTRIC WITHSTANDING: 500V AC FOR ONE MINUTE
 CONTACT RESISTANCE: 30m OHMS MAX
 INSULATION RESISTANCE: 100M OHMS MIN AT DC 100V
 OPERATION TEMPERATURE: -40°C~+85°C

HDMI
 CURRENT RATING: 0.5 AMP MAX
 DIELECTRIC WITHSTANDING: 500V AC FOR ONE MINUTE
 CONTACT RESISTANCE: 30m OHMS MAX
 INSULATION RESISTANCE: 100M OHMS MIN AT DC 500V
 OPERATION TEMPERATURE: -40°C~+85°C

B

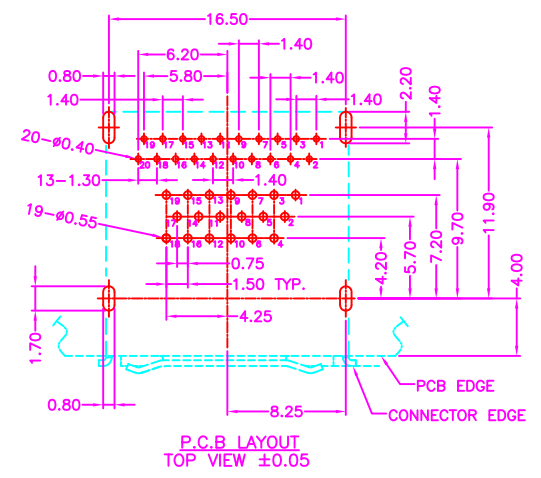


C

PART NUMBER:
SCDPHD - 3 9 * T - 7 1 3

SERIES — NO. OF POS. — CONTACT PLATED OPTION — TRAY PACKAGE — TIN PLATING ON SOLDER TAIL

- CONTACT PLATED OPTION
- 1: GOLD FLASH
 - 3: 3u" GOLD
 - 5: 5u" GOLD
 - 6: 10u" GOLD
 - 7: 15u" GOLD
 - 9: 30u" GOLD



D



TOLERANCES

X.±0.40	.XX±0.20
.X±0.30	.XXX±0.10

REV.	A	DRAWN BY	Kiki 2022/11/18	TITLE	2x1 STACKED DISPLAY PORT + HDMI FEMALE, PCB MOUNT, R/A				
		APPROVED BY	Lion 2022/11/18	DRAW NO.	SCDPHD-003	UNIT	MM	Sheet	1/1

REV.	A	DRAWN BY	Kiki 2022/11/18	TITLE	2x1 STACKED DISPLAY PORT + HDMI FEMALE, PCB MOUNT, R/A				
		APPROVED BY	Lion 2022/11/18	DRAW NO.	SCDPHD-003	UNIT	MM	Sheet	1/1