

**MATERIALS**

HOUSING: TEFLON (UL 94V-0), WHITE  
 SHELL: COPPER ALLOY, GOLD PLATING  
 TERMINAL: COPPER ALLOY, GOLD PLATED

**SPECIFICATION**

FREQUENCY RANGE: DC-6 GHz  
 VSWR: 1.50 MAX.  
 OPERATION TEMPERATURE: -40°C~+105°C

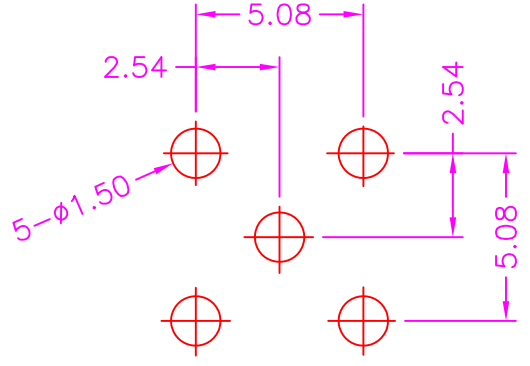
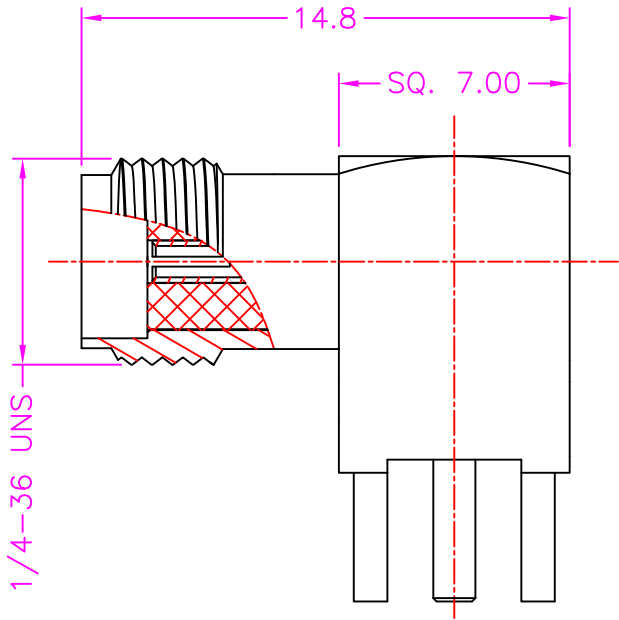
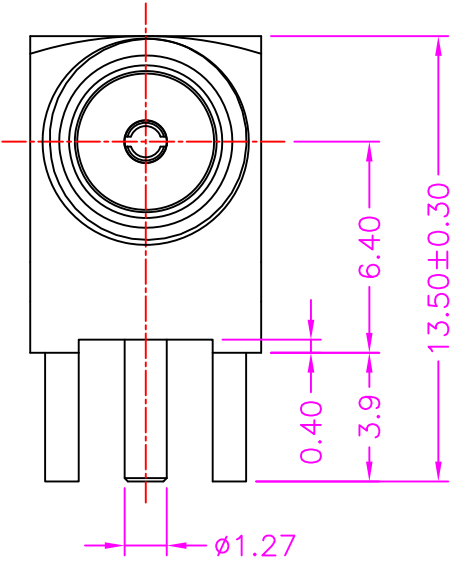
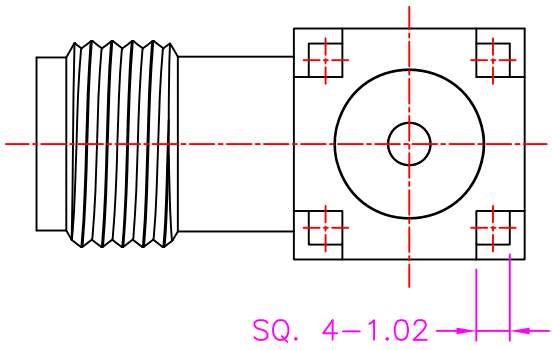
**PART NUMBER:**

RSABE - 5 \* 1 - 1 \* K

SERIES — 50 OHM — PACKAGE OPTION  
 1: TRAY  
 4: BAG

**CONTACT PLATED OPTION**

- 1: GOLD FLASH
- 3: 3u" GOLD
- 5: 5u" GOLD
- 6: 10u" GOLD
- 9: 30u" GOLD



**P.C.B. LAYOUT  
 TOP VIEW ±0.05**

**ZICONN**  
 ELECTRONIC CO., LTD.  
 WWW.ZICONN.COM 886-3-4687695

TOLERANCES	
X.±0.40	.XX±0.20
.X±0.30	.XXX±0.10

REV.	A

DRAWN BY	Kiki 2022/4/13
APPROVED BY	Lion 2022/4/13

TITLE	SMA, PCB MOUNT, R/A, WITH POST, FEMALE				
DRAW NO.	RSABE-019	UNIT	MM	Sheet	1/1