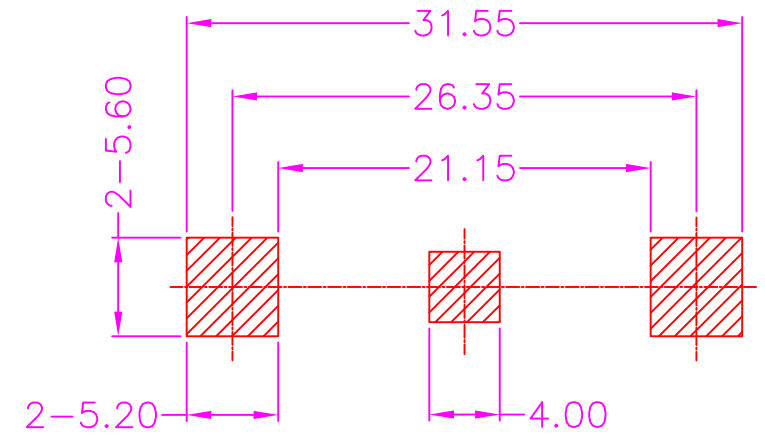
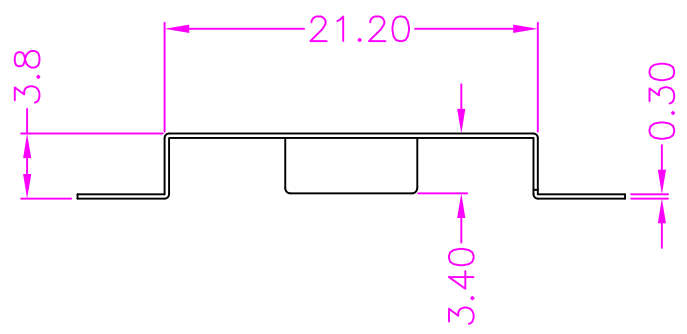


MATERIALS
SHELL: COPPER ALLOY, NICKEL PLATING

PART NUMBER:
ABRBB - N - 0 * 4

SERIES — NICKEL PLATING ON SHELL

PACKAGE OPTION
2: TAPE REEL
4: BAG



TOLERANCES
X.±0.40 .XX±0.20
.X±0.30 .XXX±0.10

REV. A

DRAWN BY Zhong 2021/10/15

APPROVED BY Lion 2021/10/15

TITLE BATTERY HOLDER, SMT, FULL METAL SHIELD, CR2032

DRAW NO. ABRBB-004 UNIT MM Sheet 1/1