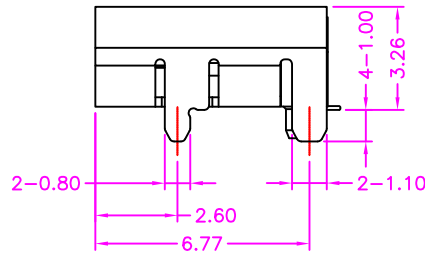
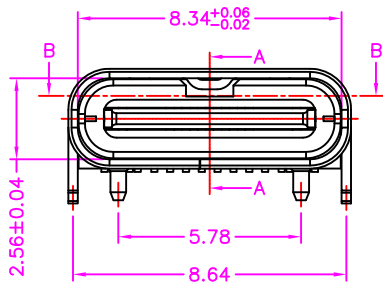
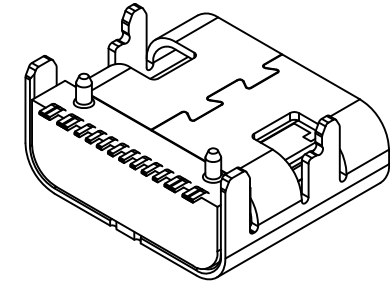
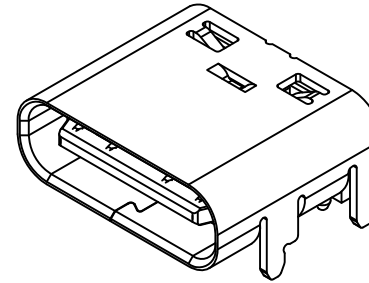


SECTION B-B

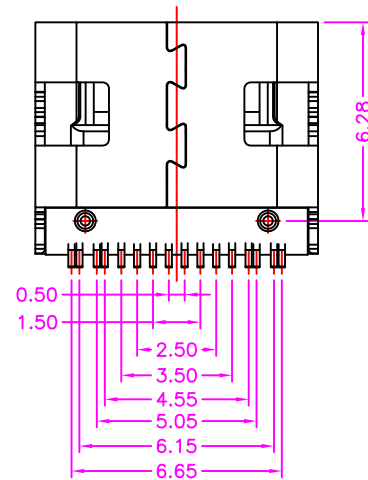


SECTION A-A

PART NUMBER:  
**BUSJB - 1 6 \* - 1 2 K**  
 SERIES — NO. OF POS. — TAPE REEL PACKAGE

CONTACT PLATED OPTION

- 1: 1u" GOLD
- 3: 3u" GOLD
- 5: 5u" GOLD
- 6: 10u" GOLD
- 7: 15u" GOLD
- 9: 30u" GOLD



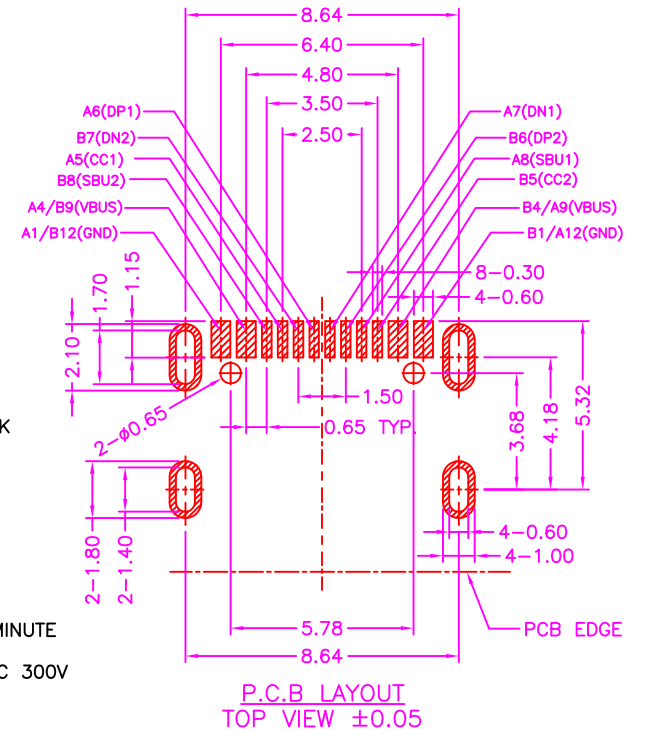
PIN	SIGNAL NAME	PIN	SIGNAL NAME
A1	GND	B12	GND
A4	VBUS	B9	VBUS
A5	CC1	B8	SBU2
A6	DP1	B7	DN2
A7	DN1	B6	DP2
A8	SBU1	B5	CC2
A9	VBUS	B4	VBUS
A12	GND	B1	GND

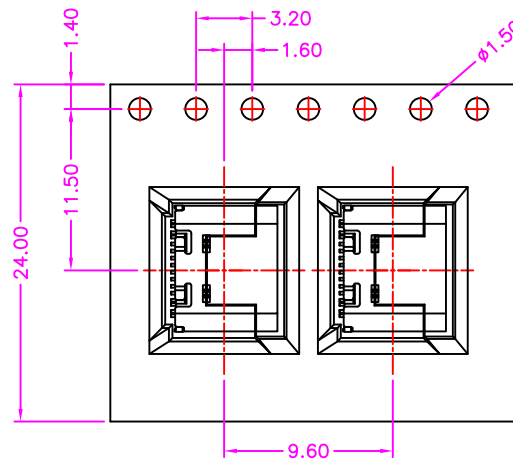
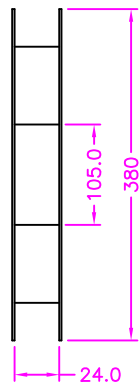
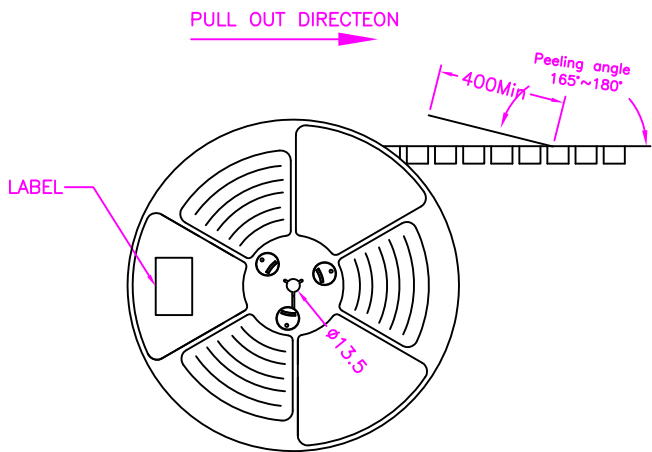
MATERIALS

HOUSING: HI-TEMP. PLASTIC (UL 94V-0), BLACK  
 SHELL: STAINLESS STEEL, NICKEL PLATING  
 TERMINAL: COPPER ALLOY, GOLD PLATED

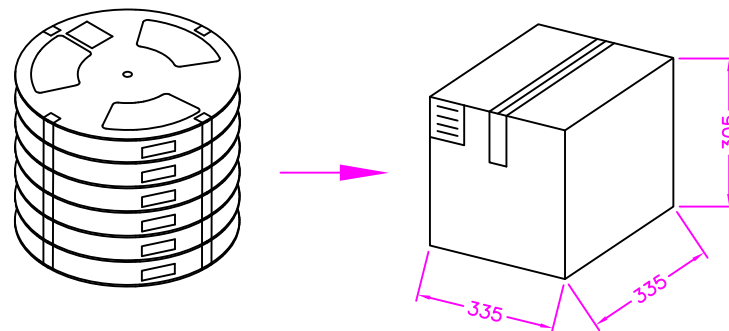
SPECIFICATION

CURRENT RATING:  
 1.5A/PIN MAX (A9,B9)  
 1.25A/PIN MAX (A12,B12)  
 0.25A FOR ALL THE OTHERS CONTACTS  
 DIELECTRIC WITHSTANDING: 100V AC FOR ONE MINUTE  
 CONTACT RESISTANCE: 40m OHMS MAX  
 INSULATION RESISTANCE: 100M OHMS MIN AT DC 300V  
 OPERATION TEMPERATURE: -40°C~+85°C





← PRODUCT PACKAGING DIRECTION  
 CUSTOMER TO USE DIRECTION →



NOTE: 1000PCS/REEL, 10000PCS/ 10 REEL/ CARTON



TOLERANCES	
X.±0.40	.XX±0.20
.X±0.30	.XXX±0.10

REV.	A	DRAWN BY	Zhong 2021/7/5
		APPROVED BY	Lion 2021/7/5

TITLE	USB C TYPE, PCB MOUNT, SMT, METAL SHIELD, 16PIN, FEMALE				
DRAW NO.	BUSJB-019	UNIT	MM	Sheet	2/2