

**MATERIALS**

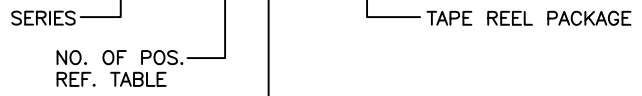
HOUSING: LCP (UL 94V-0), BLACK  
 SOLDER PAD: COPPER ALLOY, TIN PLATED  
 TERMINAL: COPPER ALLOY, GOLD PLATED

**SPECIFICATION**

CURRENT RATING: 3 AMP MAX  
 DIELECTRIC WITHSTANDING: 350V AC FOR ONE MINUTE  
 INSULATION RESISTANCE: 1000M OHMS MIN AT DC 250V  
 OPERATION TEMPERATURE: -40°C~+85°C

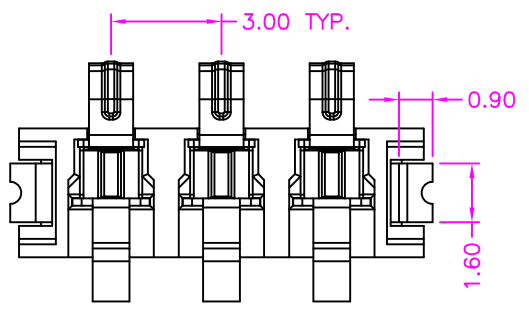
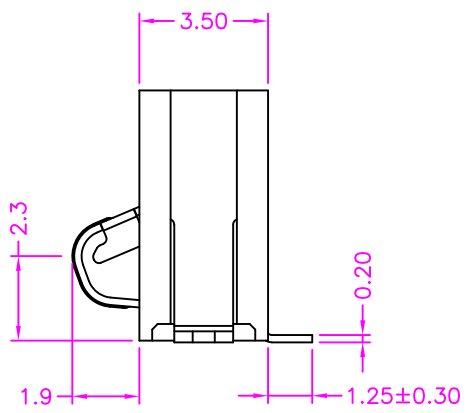
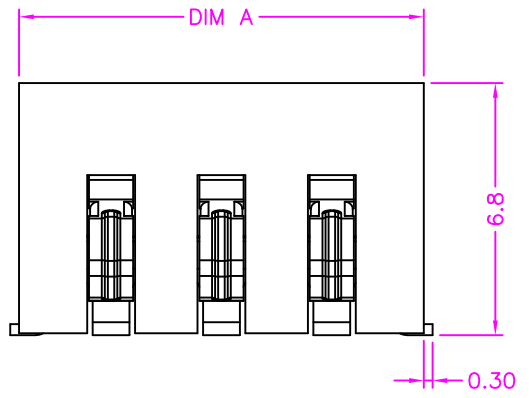
**PART NUMBER:**

ABTDV - \* \* \* - 1 2 3



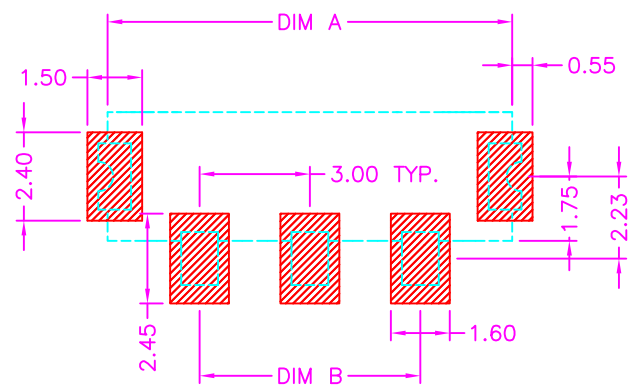
**CONTACT PLATED OPTION**

- 1: GOLD FLASH
- 3: 3u" GOLD
- 5: 5u" GOLD
- 6: 10u" GOLD
- 7: 15u" GOLD
- 9: 30u" GOLD



**TABLE**

P/N	DIM A	DIM B
02	8.0	3.0
03	11.0	6.0
04	14.0	9.0
05	17.0	12.0
06	20.0	15.0



**P.C.B LAYOUT  
TOP VIEW ±0.05**