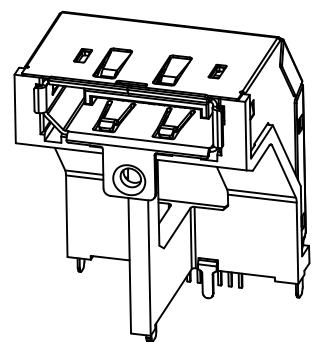
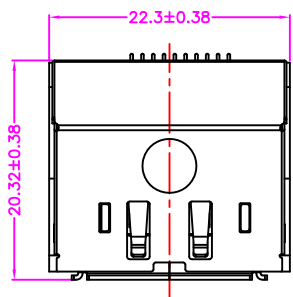


A



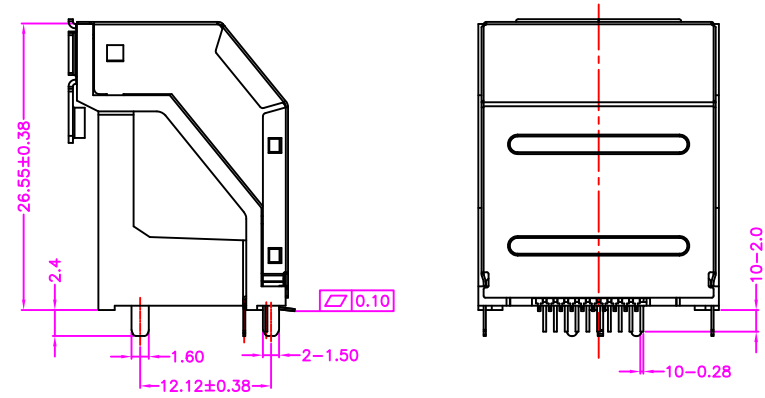
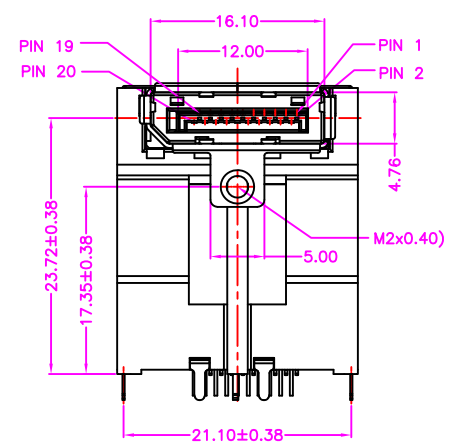
**MATERIALS**

HOUSING: HI-TEMP. PLASTIC (UL 94V-0), BLACK  
 BRACKET: HI-TEMP. PLASTIC (UL 94V-0), BLACK  
 SHELL: STAINLESS STEEL, NICKEL PLATING  
 BOARD LOCK: SPCC, TIN PLATING  
 TERMINAL: COPPER ALLOY, GOLD PLATING ON CONTACT AREA  
 TIN PLATING ON SOLDER TAIL

**SPECIFICATION**

CURRENT RATING: 0.5 AMP MAX  
 DIELECTRIC WITHSTANDING: 500V AC FOR ONE MINUTE  
 CONTACT RESISTANCE: 30m OHMS MAX  
 INSULATION RESISTANCE: 100M OHMS MIN AT DC 100V  
 OPERATION TEMPERATURE: -40°C~+85°C

B



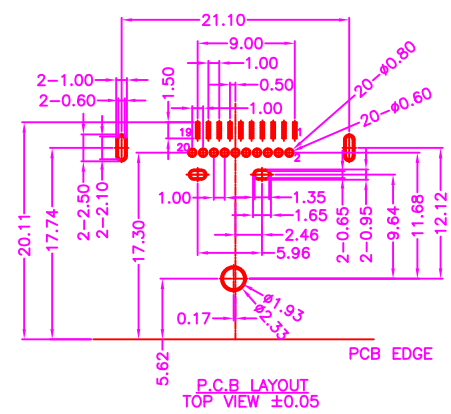
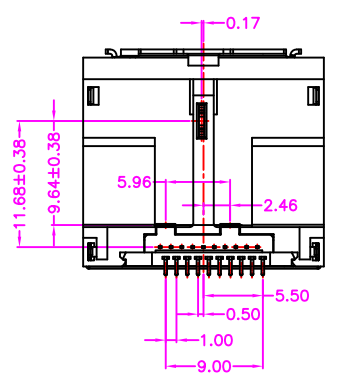
**PART NUMBER:**

BDPCA - 2 0 \* T - 1 1 1

SERIES: BDPCA  
 NO. OF POS.: 20  
 CONTACT PLATED OPTION: \*  
 TIN PLATING ON SOLDER TAIL: T  
 TRAY PACKAGE: 1 1 1

CONTACT PLATED OPTION  
 1: GOLD FLASH  
 3: 3u" GOLD  
 5: 5u" GOLD  
 6: 10u" GOLD  
 7: 15u" GOLD  
 9: 30u" GOLD

C



**SOURCE SIDE**

PIN NO.	PIN NAME	PIN NO.	PIN NAME
1	ML_Lane 0 (p)	1	ML_Lane 3 (n)
2	GND	2	GND
3	ML_Lane 0 (n)	3	ML_Lane 3 (p)
4	ML_Lane 1 (p)	4	ML_Lane 2 (n)
5	GND	5	GND
6	ML_Lane 1 (n)	6	ML_Lane 2 (p)
7	ML_Lane 2 (p)	7	ML_Lane 1 (n)
8	GND	8	GND
9	ML_Lane 2 (n)	9	ML_Lane 1 (p)
10	ML_Lane 3 (p)	10	ML_Lane 0 (n)
11	GND	11	GND
12	ML_Lane 3 (n)	12	ML_Lane 0 (p)
13	CONFIG1	13	CONFIG1
14	CONFIG2	14	CONFIG2
15	AUX CH (p)	15	AUX CH (p)
16	GND	16	GND
17	AUX CH (n)	17	AUX CH (n)
18	Hot Plug Detect	18	Hot Plug Dete
19	Return	19	Return
20	DP PWP	0	DP PWR

**SINK SIDE**

D

**TOLERANCES**  
 X.±0.40 .XX±0.20  
 .X±0.30 .XXX±0.10

REV. A  
 DRAWN BY Kiki 2023/8/14  
 APPROVED BY Lion 2023/8/14

TITLE: DISPLAY PORT, PCB MOUNT, R/A, METAL SHIELD, H=26.55mm, FEMALE  
 DRAW NO. BDPCA-001  
 UNIT: MM  
 Sheet: 1/1