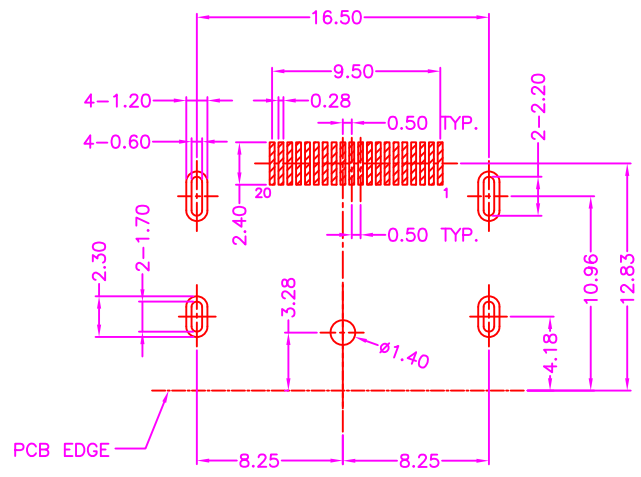


MATERIALS

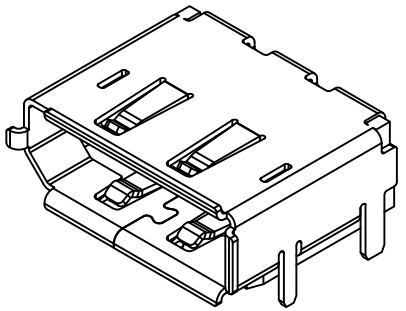
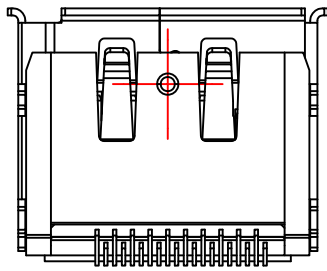
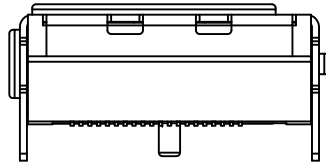
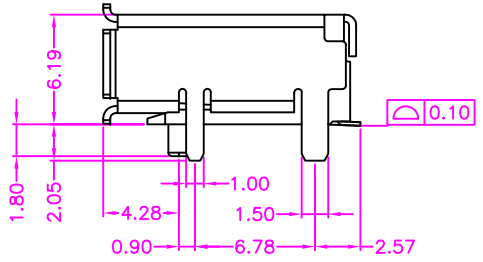
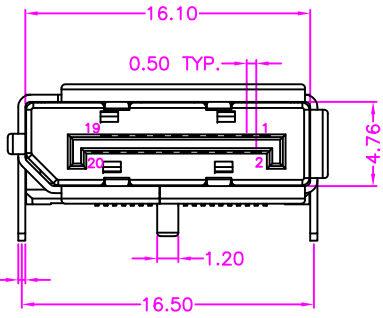
HOUSING: LCP (UL 94V-0), BLACK
 SHELL: SUS304, NICKEL PLATING
 TERMINAL: COPPER ALLOY, GOLD PLATING ON CONTACT AREA
 TIN PLATING ON SOLDER TAIL

SPECIFICATION

CURRENT RATING: 0.5 AMP MAX
 DIELECTRIC WITHSTANDING: 500V AC FOR ONE MINUTE
 CONTACT RESISTANCE: 30m OHMS MAX
 INSULATION RESISTANCE: 100M OHMS MIN AT DC 100V
 OPERATION TEMPERATURE: -40°C~+85°C



P.C.B. LAYOUT
 TOP VIEW ±0.05



PART NUMBER:
 BDPBE - 2 0 * T - 1 * 4

SERIES
 NO. OF POS.
 CONTACT PLATED OPTION
 PACKAGE OPTION
 1: TRAY
 2: TAPE REEL
 TIN PLATING ON SOLDER TAIL

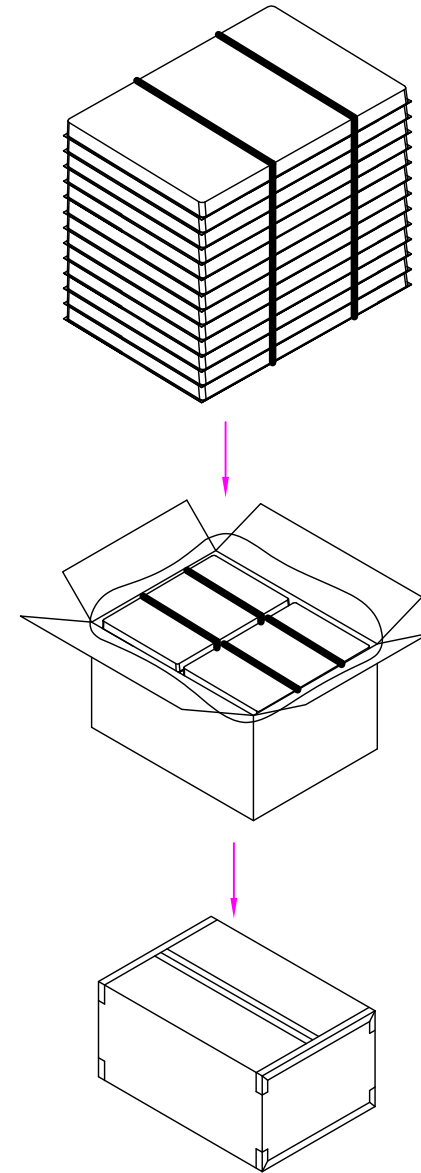
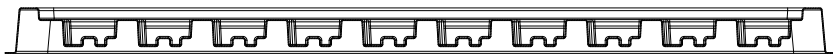
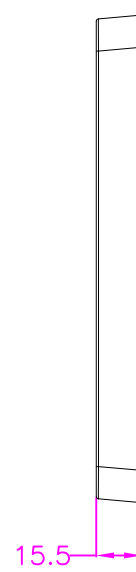
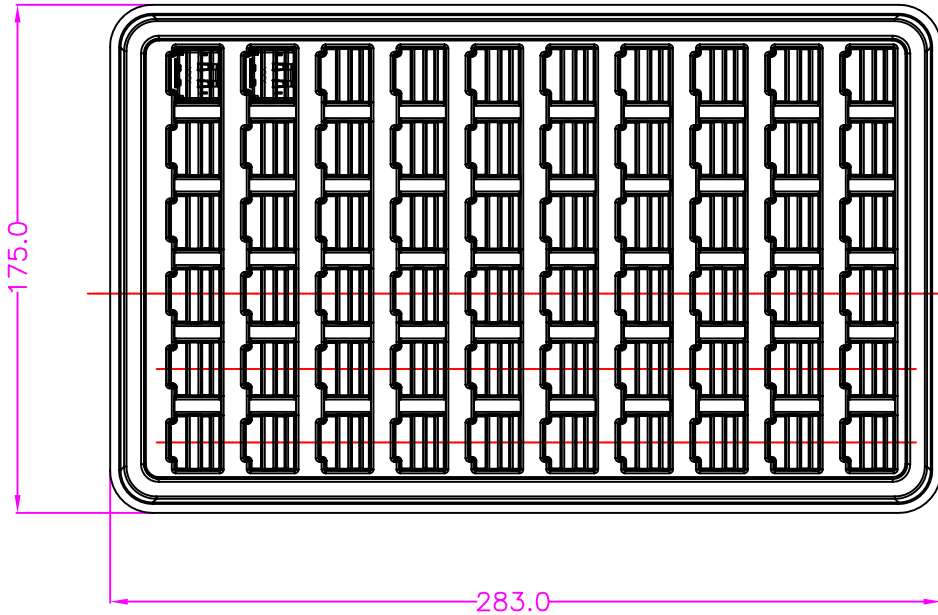
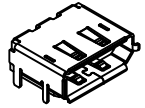
- 1: GOLD FLASH
- 3: 3u" GOLD
- 5: 5u" GOLD
- 6: 10u" GOLD
- 7: 15u" GOLD
- 9: 30u" GOLD



| TOLERANCES | |
|------------|-----------|
| X.±0.40 | .XX±0.20 |
| .X±0.30 | .XXX±0.10 |

| | | | | | |
|------|---|-------------|----------------|----------|--|
| REV. | A | DRAWN BY | Kiki 2023/6/15 | TITLE | DISPLAY PORT 2.1, PCB MOUNT, SMT, METAL SHIELD WITH POST, FEMALE |
| | | APPROVED BY | Lion 2023/6/15 | DRAW NO. | BDPBE-004 |

| | | | |
|------|----|-------|-----|
| UNIT | MM | Sheet | 1/2 |
|------|----|-------|-----|



NOTE: 60PCS/TRAY, 2160PCS/ 36 TRAY/CARTON



| TOLERANCES | |
|------------|-----------|
| X.±0.40 | .XX±0.20 |
| .X±0.30 | .XXX±0.10 |

| | | | |
|------|---|-------------|----------------|
| REV. | A | DRAWN BY | KiKi 2023/6/15 |
| | | APPROVED BY | Lion 2023/6/15 |

| | | | | | |
|----------|--|------|----|-------|-----|
| TITLE | DISPLAY PORT 2.1, PCB MOUNT, SMT, METAL SHIELD WITH POST, FEMALE | | | | |
| DRAW NO. | BDPBE-004 | UNIT | MM | Sheet | 2/2 |