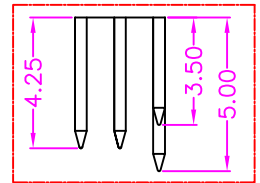
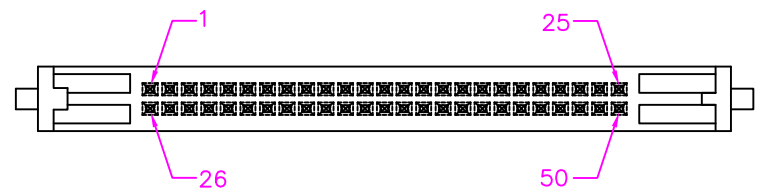


MATERIALS

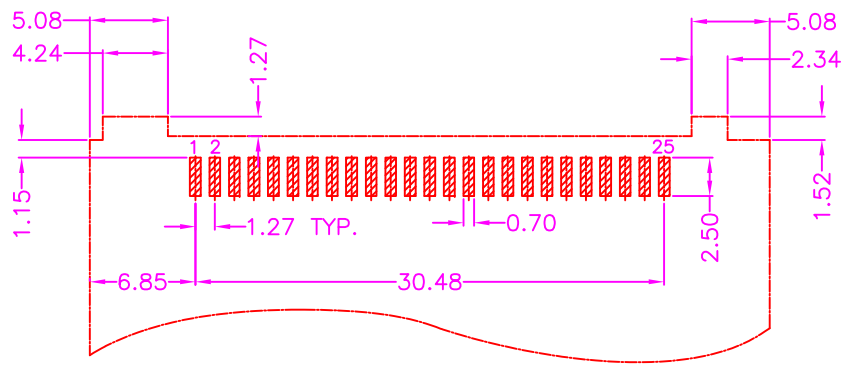
HOUSING: LCP (UL 94V-0), BLACK
 TERMINAL: COPPER ALLOY, GOLD PLATED ON CONTACT AREA
 TIN PLATING ON SOLDER TAIL

SPECIFICATION

CURRENT RATING: 0.5 AMP MAX
 DIELECTRIC WITHSTANDING: 500V AC FOR ONE MINUTE
 INSULATION RESISTANCE: 1000M OHMS MIN AT DC 500V
 OPERATION TEMPERATURE: -40°C~+85°C



DETAIL A
SCALE 2/1



P.C.B LAYOUT
TOP VIEW ±0.05

PART NUMBER:

MMCAC - 5 0 * T - 2 1 1

SERIES ——— TRAY PACKAGE
 NO. OF POS. ——— TIN PLATING ON SOLDER TAIL

CONTACT PLATED OPTION

- 1: GOLD FLASH
- 3: 3u" GOLD
- 5: 5u" GOLD
- 7: 15u" GOLD
- 9: 30u" GOLD

PIN NUMBER	DIM
25, 26	3.50
ALL OTHER PINS	4.25
1, 13, 38, 50	5.00



TOLERANCES

X.±0.40	.XX±0.20
.X±0.30	.XXX±0.10

REV.	A	DRAWN BY	Jason 2023/3/17	TITLE	CF CARD, PCB MOUNT, STRADDLE TYPE, MALE (REACH=11.18mm, H=4.20mm)
		APPROVED BY	Lion 2023/3/17	DRAW NO.	MMCAC-001
		UNIT	MM	Sheet	1/1

UNIT	MM	Sheet	1/1
------	----	-------	-----