

MATERIALS

HOUSING: LCP (UL 94V-0), BLACK
 SHELL: STAINLESS STEEL, NICKEL PLATING
 SHIELD: STAINLESS STEEL, NICKEL PLATING
 TERMINAL: COPPER ALLOY, GOLD PLATING ON CONTACT AREA
 TIN PLATING ON SOLDER TAIL

SPECIFICATION

CURRENT RATING: 0.5 AMP MAX
 DIELECTRIC WITHSTANDING: 500V AC FOR ONE MINUTE
 CONTACT RESISTANCE: 30m OHMS MAX
 INSULATION RESISTANCE: 100M OHMS MIN AT DC 100V
 OPERATION TEMPERATURE: -40°C~+85°C

PART NUMBER:

BDPPA - 4 0 * T - 1 1 1

SERIES — NO. OF POS. — TRAY PACKAGE — TIN PLATING ON SOLDER TAIL

CONTACT PLATED OPTION

- 1: GOLD FLASH
- 3: 3u" GOLD
- 5: 5u" GOLD
- 6: 10u" GOLD
- 7: 15u" GOLD
- 9: 30u" GOLD



TOLERANCES

X.±0.40	.XX±0.20
.X±0.30	.XXX±0.10

REV.	A	DRAWN BY	Kiki 2023/8/6	TITLE	2x1 STACKED DISPLAY PORT, PCB MOUNT, R/A, METAL SHIELD, FEMALE				
		APPROVED BY	Lion 2023/8/6	DRAW NO.	BDPPA-001	UNIT	MM	Sheet	1/2

DRAW NO.	BDPPA-001	UNIT	MM	Sheet	1/2
----------	-----------	------	----	-------	-----

1

2

3

4

5

6

A

A

B

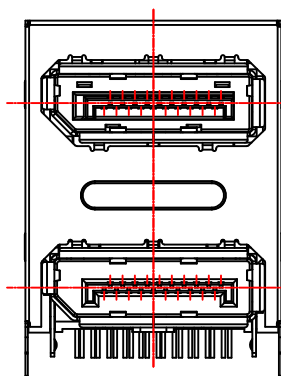
B

C

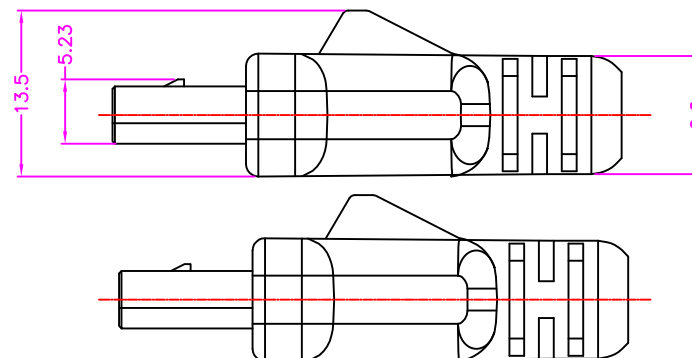
C

D

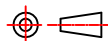
D



CONNECTOR MATED CONDITION



PIN ASSIGNMENT			
PIN No.		SOURCE-SIDE	SINK-SIDE
P1	P21	ML_Lane 0(p)	ML_Lane 3(n)
P2	P22	GND	GND
P3	P23	ML_Lane 0(n)	ML_Lane 3(p)
P4	P24	ML_Lane 1(p)	ML_Lane 2(n)
P5	P25	GND	GND
P6	P26	ML_Lane 1(n)	ML_Lane 2(p)
P7	P27	ML_Lane 2(p)	ML_Lane 1(n)
P8	P28	GND	GND
P9	P29	ML_Lane 2(n)	ML_Lane 1(p)
P10	P30	ML_Lane 3(p)	ML_Lane 0(n)
P11	P31	GND	GND
P12	P32	ML_Lane 3(n)	ML_Lane 0(p)
P13	P33	CONFIG1	CONFIG1
P14	P34	CONFIG2	CONFIG2
P15	P35	AUX CH (p)	AUX CH (p)
P16	P36	GND	GND
P17	P37	AUX CH (n)	AUX CH (n)
P18	P38	HOT PLUG DETECT	HOT PLUG DETECT
P19	P39	RETURN	RETURN
P20	P40	DP PWR	DP PWR



1

2

3

4

5

6 C0101 & C0196