

KEY POSITION A
12V
(COLOR: RED OR BLUE)

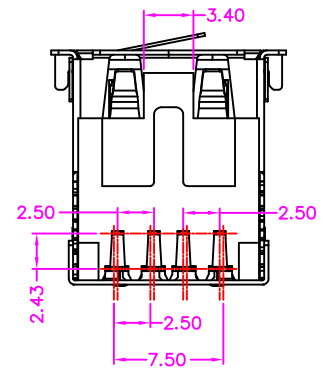
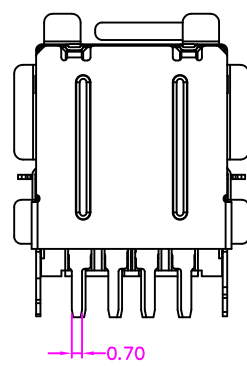
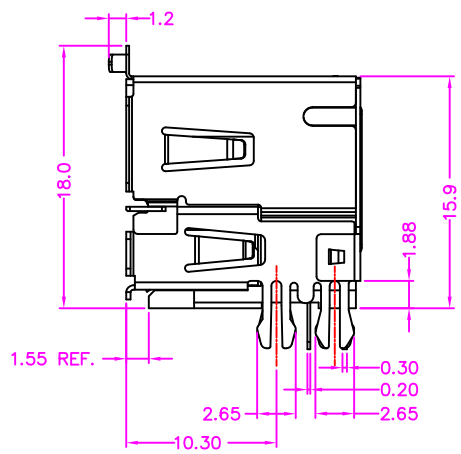
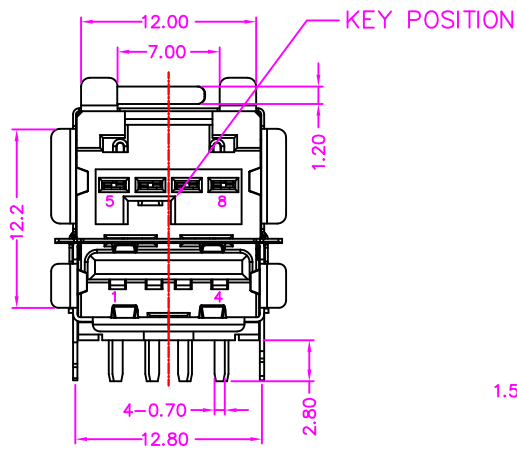
KEY POSITION B
24V
(COLOR: RED OR BLUE)

MATERIALS

HOUSING: HI-TEMP. PLASTIC (UL 94V-0)
SHELL: COPPER ALLOY, NICKEL PLATING
EMI SPRING: STAINLESS STEEL, NICKEL PLATING
TERMINAL: COPPER ALLOY, GOLD PLATED ON CONTACT AREA
TIN PLATING ON SOLDER TAIL

SPECIFICATION

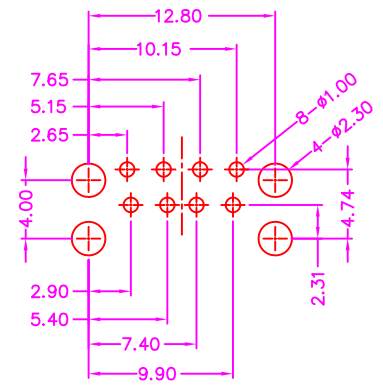
USB CURRENT RATING: 1.5 AMP MAX
POWER CURRENT RATING: 3.0 AMP MAX
DIELECTRIC WITHSTANDING: 500V AC FOR ONE MINUTE
CONTACT RESISTANCE: 30m OHMS MAX
INSULATION RESISTANCE: 1000M OHMS MIN AT DC 500V
OPERATION TEMPERATURE: -40°C ~ +85°C



PART NUMBER:
BUSHC - 0 8 * T - 1 1 1 * *

SERIES — NO. OF POS. — CONTACT PLATED OPTION — TRAY PACKAGE — TIN PLATING ON SOLDER TAIL — HOUSING COLOR OPTION
BLANK: RED
BL: BLUE — KEY POSITION OPTION
A: 12V
B: 24V

1: GOLD FLASH
3: 3u" GOLD
5: 5u" GOLD
6: 10u" GOLD
7: 15u" GOLD
9: 30u" GOLD



P.C.B. LAYOUT
TOP VIEW ±0.05



TOLERANCES
X, ±0.40 .XX ±0.20
.X ±0.30 .XXX ±0.10

REV. A DRAWN BY Kiki 2023/5/23 TITLE
APPROVED BY Lion 2023/5/23 DRAW NO.

STACKED POWER USB, PCB MOUNT, R/A, METAL SHIELD FEMALE
BUSHC-001 UNIT MM Sheet 1/1